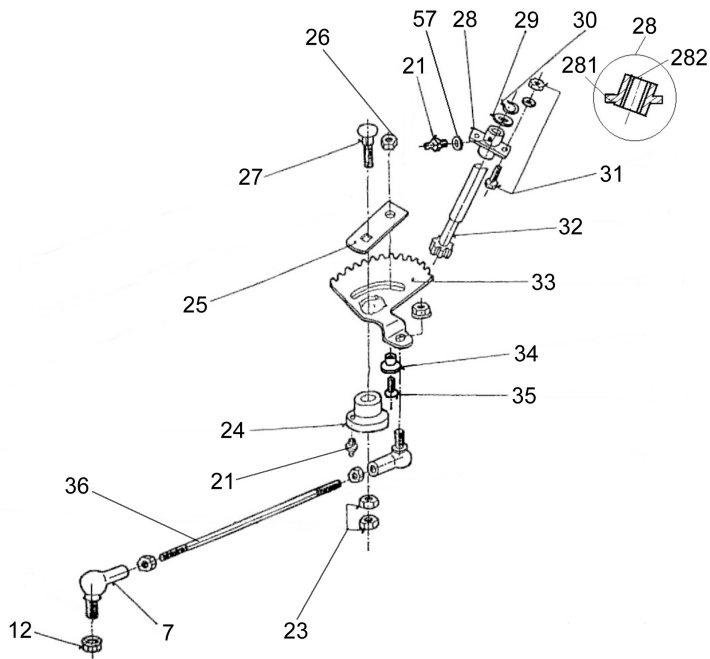
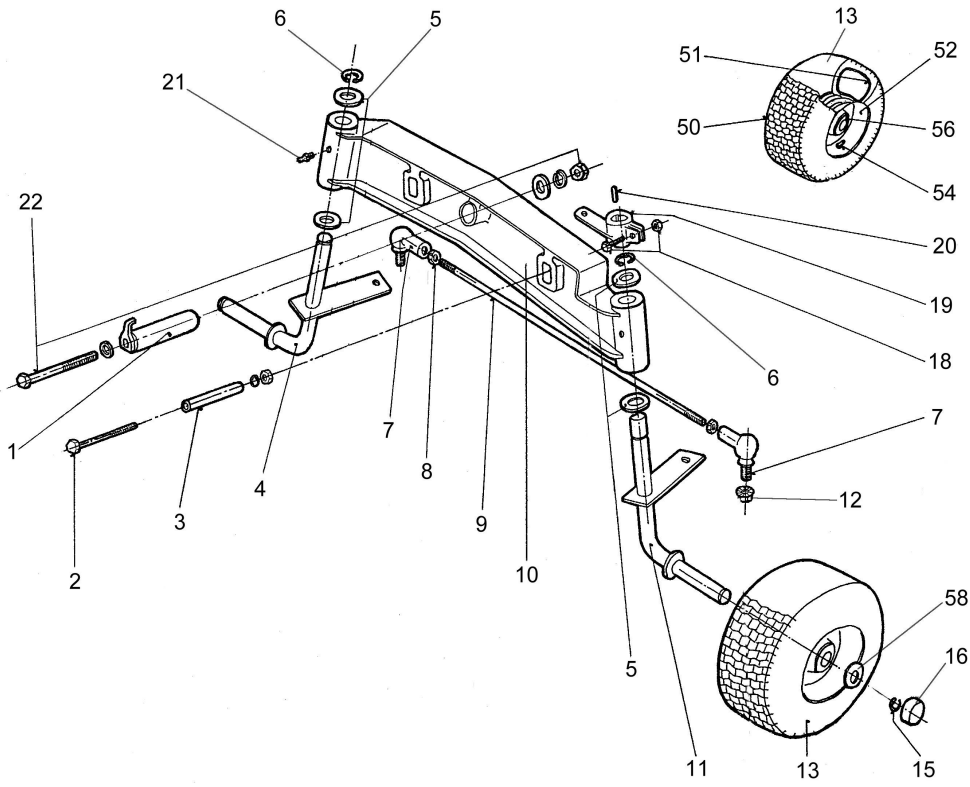


Moteur

Poz.	Číslo	Descript	Norma	Poččet
Item	Parts No.		Norm	Q.ty
Pos.	N°de pièce		Norme	Pcs
Pos.	Teile-Nr.		Norm	Menge
	94700048200			
1	2	Engine 15.5 HP I/C QUIET		1
	94700053204			
2	4	Exhaust gasket		1
	53292747213			
3	3	Exhaust system "15.5"		1
	94730957950			
4	2	Exst screw 5/16"x3/4"UNC zinc.		1
	94730957850			
5	7	Screw M 4x8 D 7500 D		1
	94731121450		0217401	
5	7	Spring washer 5	5	1
	53208542682			
6	3	Exsthaust heat guard		1
	94731112050		0214012	
7	6	Nut M 5	5	2
	94730920353		0211032	
7	9	Hex screw M 5x16	5	1
	94731121450		0217401	
7	7	Spring washer 5	5	1

7	1	94731121050	Flat washer 5.3	0217021	5	2
8	2	94731121450	Washer 8	0217401	5	2
8	4	94730920350	Hex screw M 8x20	0211032	5	2
8	3	94731121050	Falt washer 8.4	0217021	5	2
8	7	94731121251	Washer 9 zinc.	0217290	5	2
10	2	94731121450	Washer 8	0217401	5	4
10	2	94731112050	Nut M 8	0214012	5	4
10	0	94730920353	Hex screw M 8x35	0211032	5	4
11	3	53219920228	Fuel line			1
14	3	53219920227	Fuel line			1
17	5	94731523800	Spring clip 0-9245-233			1
18	7	94732184101	Fuel tank cap			1
19	3	53202766205	Fuel tank			1
20	3	53208541555	Cover			1
22	3	53208541541	Cover			1
23	6	94731112050	Nut M 5	0214012	5	2
23	4	94731121251	Flat washer 5.5 zinc.	021729		3
23	5	94730920355	Hex screw M 5x30	0211032	5	2
23	7	94731121450	Spring washer 5	0217401	5	2
23	1	94731121050	Flat washer 5.3	0217021	5	1
24	3	53208532391	Bulkhead			1

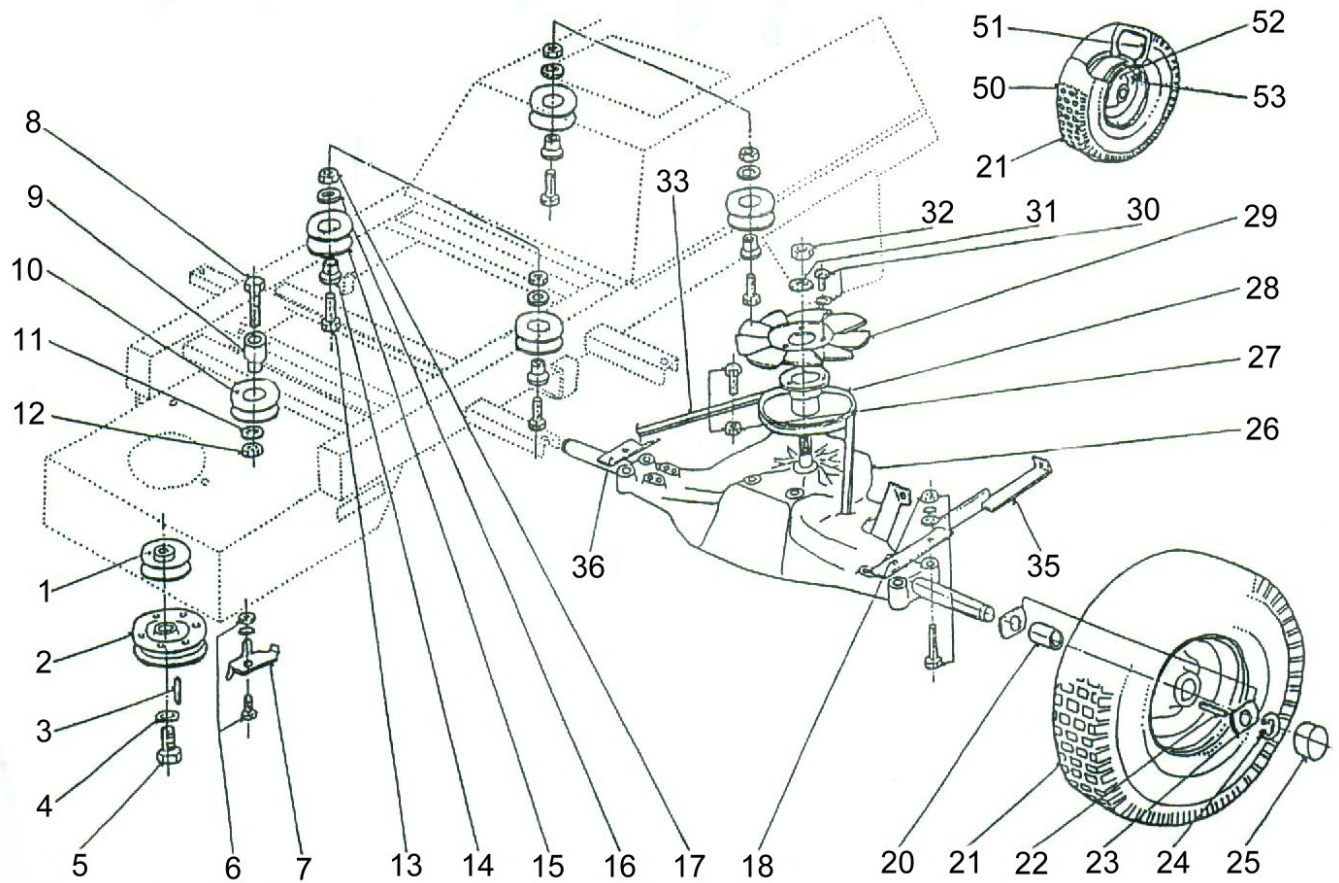


Essieu avant et direction

Poz.	Číslo	Descript	Norma	Počet
Item	Parts No.		Norm	Q. ty
Pos.	N°de pièce		Norme	Pcs
Pos.	Teile-Nr		Norm	Menge
1	53299316434	Pin		1

3	94731121450		0217401	
2	3	Spring washer 10	5	2
	94730920154		0211012	
2	0	Hex screw M 10x80	5	2
	94731112050		0214012	
2	3	Hex nut M 10	5	2
	53219520291			
3	3	Spacer		2
	53291643202			
4	3	Spindle, right		1
	94731121051		0217021	
5	4	Flat washer 19	5	4
	94731173200			
6	8	Spring clip "C" 15	022929	2
	94732416287			
7	5	Angular joint	024630	4
	94731112050		0214012	
8	3	Hex nut M 10	5	2
	94753298001			
9	0	Tie rod 0-9010-517		1
	53201654202			
10	3	Front axle		1
	53291643203			
11	3	Spindle, left		1
	94731112951			
12	6	Self locking nut M 10 KL8		4
	94753294011			
13	1	Front tyre wheel 16"/6.50x8		2
	94731173200			
15	8	Spring clip "C" 15	022929	2
	94753215020			
16	8	Cap 38 A/PVC black		2
	94730920352		0211032	
18	4	Hex screw M 6x40	5	1
	94731112951		0214925	
18	3	Self locking nut M 6	5	2
	53208050352			
19	3	Steering spindle lever		1
	94731172800		3013851	
20	3	Square key 5x7.5	2	1
	94742511100			
21	4	Grease fitting MK 6x1	231470	2
	53209220748			
22	3	Washer (SP)		1
	94731112050		0214012	
22	4	Hex nut M 12	5	1
	94731121450		0217401	
22	4	Spring washer 12	5	1
	94730950153		0211012	
22	4	Hex screw M 12x100	5	1
	94731121050		0217021	
22	5	Flat washer B 13	5	1
	94731112050		0214012	
23	4	Hex nut M 12	5	2
	53208027203			
24	3	Eccentric		1
	53211332280			
25	3	Re-inforcement plate		1
	94731112052		0214032	
26	0	Nut M 8	5	1
27	94730901951	Carr. bolt M 12x55-8.8	021319	1

6	ISO8677		
53293870344			
28 3	Lower steering support		1
94731121051		0217021	
29 4	Flat washer 19	5	1
94731173200			
30 8	Spring clip "C" 15	022929	1
94730950355		0211035	
31 7	Screw M 6x18	5	2
94731112951		0214925	
31 3	Self locking nut M 6	5	2
94731121251		0217291	
31 6	Flat washer 6.6 zinc.	5	2
53293025206			
32 3	Steering sheft pinion gear		1
53203332205			
33 3	Sector gear		1
53219520259			
34 3	Spacer		1
94730957850			
35 6	Slotted screw M 8x30 DIN		1
94753298007			
36 9	Drag link 0-9010-537		1
94700053212			
50 3	Tyre 16x6.50-8		2*
94700053212			
51 5	Tube 16x6.50-8		2*
94700053212			
52 4	Wheel 16x6.50-8		2*
94700053213			
54 5	Tyre valve compl.		2*
94742511101			
55 6	Grease fitting MK 8x1	231470	1
94732419601			
56 6	Lower steering support 3/4"TIC		4
94731121050		0217021	
57 2	Flat washer 6.4	5	1
53209220807			
58 3	Washer		2
53293854206			
281 3	Lower steering support		1
94732372100			
282 2	Bushing 1920 KU		1

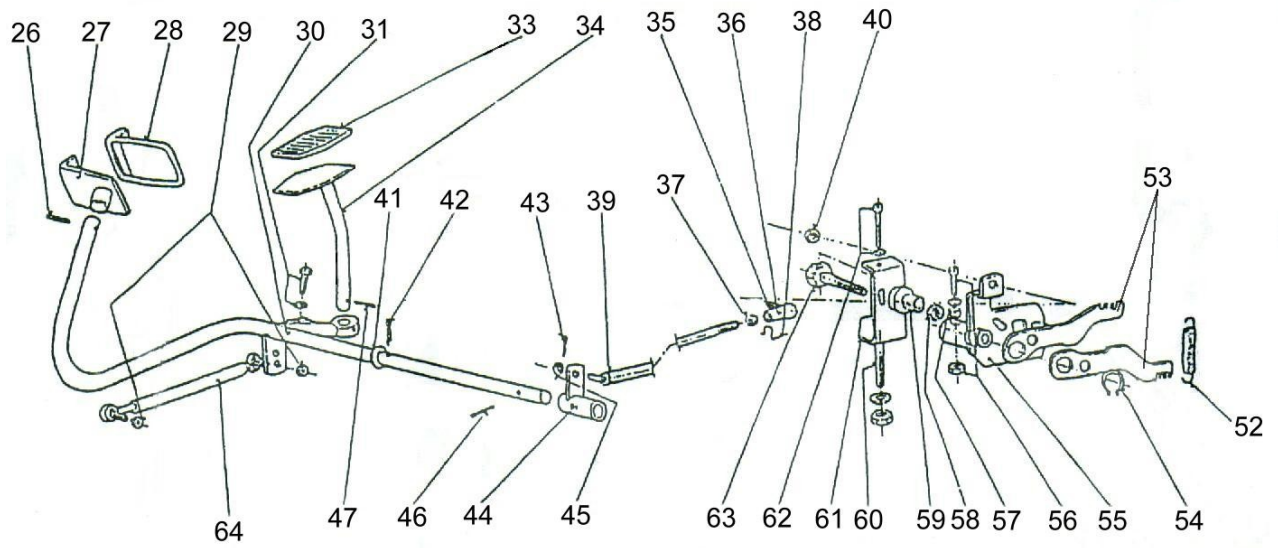
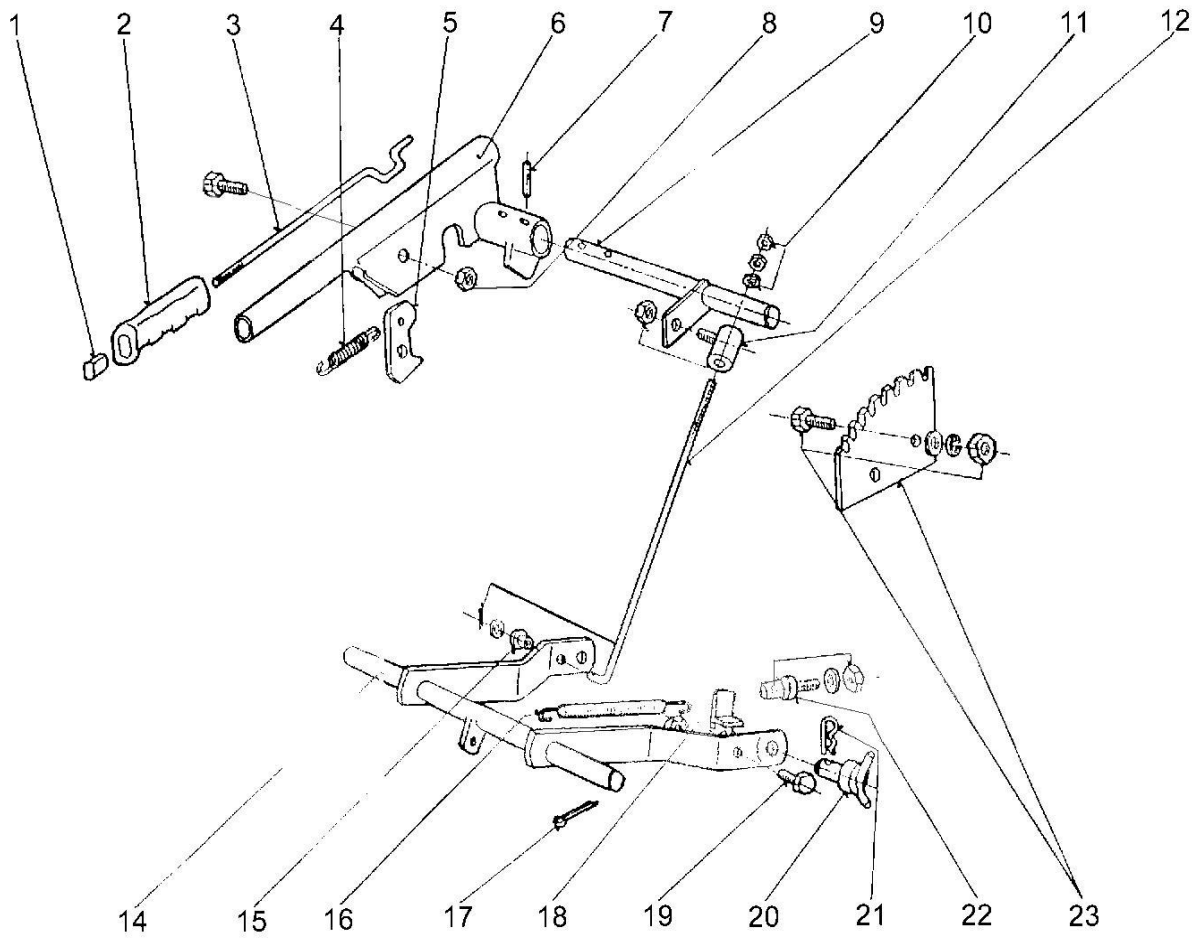


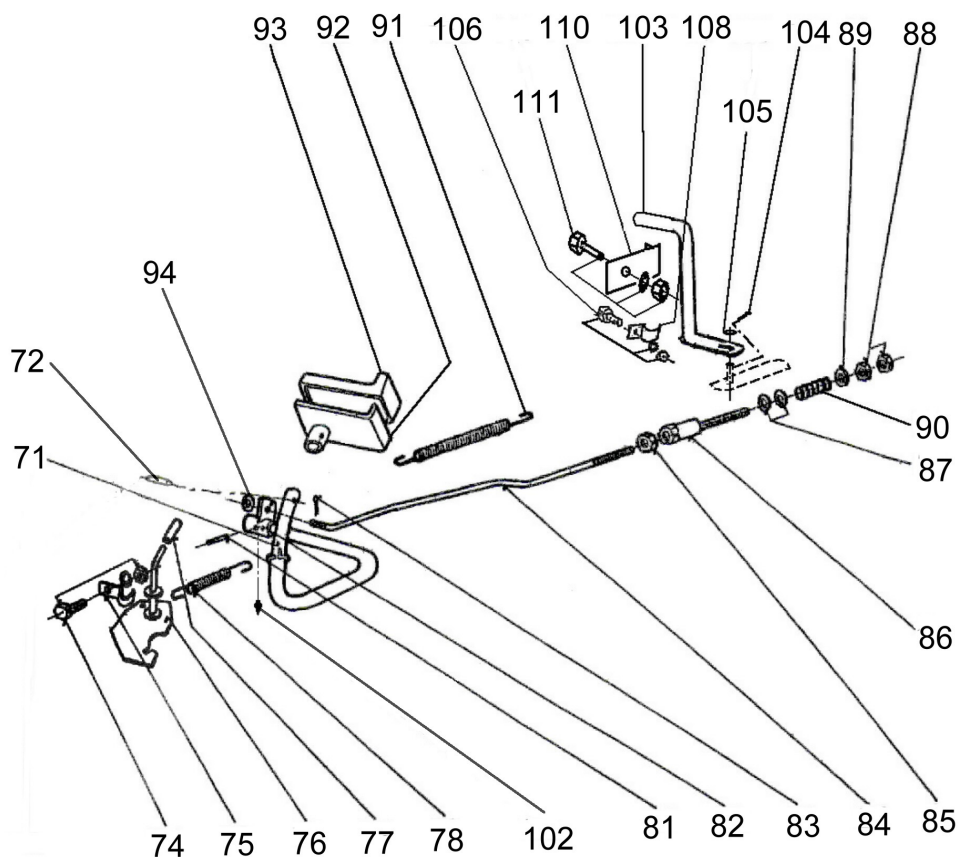
Transmission - roues ar

Poz.	Číslo	Descript	Norma	Počet
Item	Parts No.		Norm	Q.ty
Pos.	N°de pièce		Norme	Pcs
Pos.	Teile-Nr.		Norm	Menge
	94700053201			
1	2	Engine pulley S1A-350		1
	94700053201			
2	0	El. magnet. clutch MSS-80HC		1
	53209231213			
3	3	Square		1
	94731121401			
4	2	Spring washer 7/16" zinc	021740	1
	94730957950			
5	4	Hex screw UNF 7/16"x21/4"		1
	94731121450		0217401	
6	2	Washer 8	5	1
	94730920350		0211032	
6	4	Hex screw M 8x20	5	1
	94731112050		0214012	
6	2	Nut M 8	5	1
	53293636216			
7	3	Retainer		1
	53299016315			
8	3	Screw compl.		1
	53209421417			
9	3	Bushing		1
	94700053200			
10	3	Idler pulley F 3000-0750		1

11	3	94731121450	Spring washer 10	0217401	5	1
11	4	94731121050	Flat washer B 10,5	0217401	5	1
12	3	94731112050	Hex nut M 10	0214012	5	1
13	2	94730920151	Hex screw M 10x40	0211012	5	4
14	3	53209421418	Bushing			4
15	6	94700053200	Belt pulley V 3000-3316			4
16	4	94731121050	Flat washer B 10,5	0217401	5	4
17	2	94731112950	Self locking nut M 10	0214925	5	4
18	2	94731121450	Washer 8	0217401	5	4
18	2	94731112050	Nut M 8	0214012	5	4
18	0	94730920151	Hex screw M 8x80	0211012	5	4
18	3	94731121050	Flat washer 8.4	0217021	5	4
20	3	53219520278	Spacer			2
21	4	94700053209	Rear tyre wheel assy 20x10-8			2
22	3	53209231216	Spring			2
23	3	53209220739	Washer (SP)			4
24	8	94731173200	Spring clip "C" 15	022929		2
25	8	94753215020	Cap 38 A/PVC black			2
26	2	94700053209	Transm. HYDRO-GEAR 328-0650			1
27	7	94730920150	Hex screw M 8x40	0211015	5	1
27	1	94731112950	Self locking nut M 8	0214925	5	1
28	3	53293325229	Driven pulley			1
29	6	94700053209	Fan 70x1.19 BLADE			1
30	0	94730920354	Hex screw M 6x14	0211032	5	1
30	2	94731121050	Flat washer 6.4	0217021	5	3
31	3	94731121451	Washer 13	0217450	5	1
32	8	94700053209	Nut 1/2-20 UNF			1
33	6	94727272101	V-belt SPA 12.5x2725 La			1
35	3	53291336795	Left complete bracket			1
36	3	53291336794	Right complete bracket			1
50	2	94700053213	Tyre 20x10.00-8			2*

	94700053213			
51	3	Tube 20x10.00-8		2*
	94700053213			
52	4	Wheel 20x10.00-8		2*
	94731121450		0217401	
53	3	Spring washer 10	5	1
	94700053213			
53	5	Tyre valve compl.		2*





Relevage tondeuse - Levier

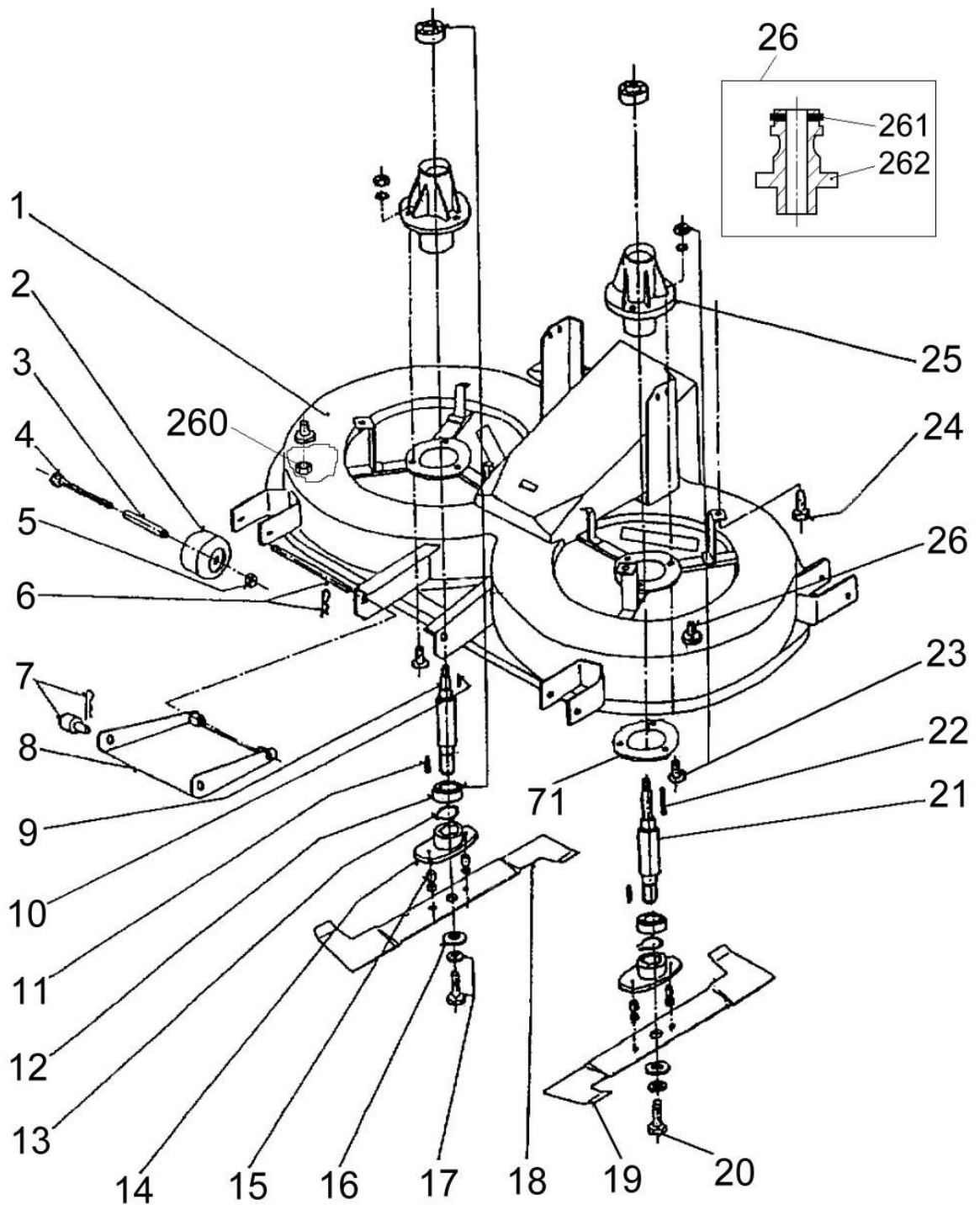
Poz.	Číslo	Descript	Norma	Poččet
Item	Parts No.		Norm	Q. ty
Pos.	N°de pièce		Norme	Pcs
Pos.	Teile-Nr.		Norm	Menge
	94772264301			
1	6	Plunger button 0-8025-234		1
	94753215004			
2	9	Handle grip 0-8060-236		1
	94731523803			
3	4	Connecting rod 0-8045-237		1
	94731523115			
4	8	Spring 0-9746-439		1
	53203732211			
5	3	Ratchet pivot plate		1
	53298052216			
6	3	Height adj. arm lever		1
	94731523804			
7	1	Spring pin 6x30	022156	2
	94730920351		0211032	
8	7	Hex screw M 8x25	5	1
	94731112950		0214925	
8	1	Self locking nut M 8	5	1
	53291346252			
9	3	Shaft		1
10	94731112050	Hex nut M 6	0214012	2

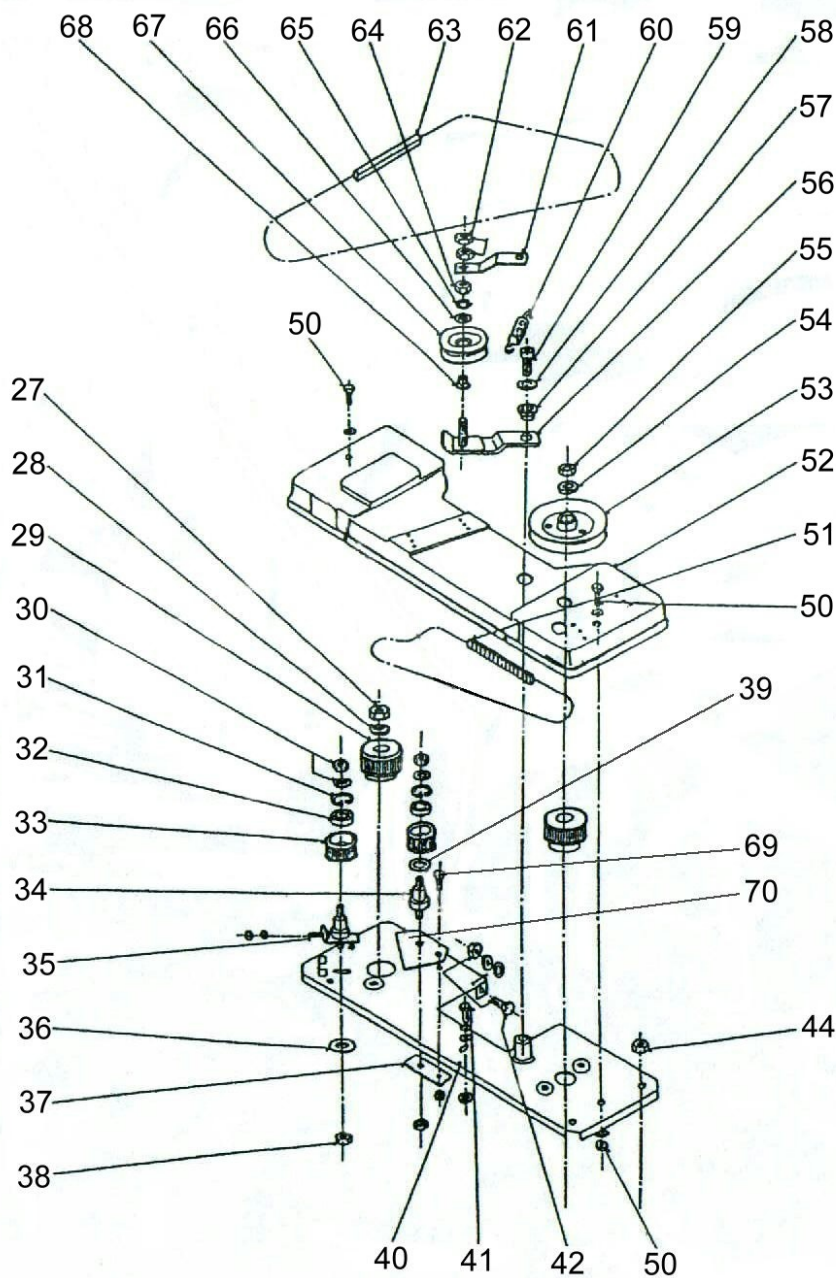
1			5	
	94731121250		0217261	
10	5	Flat washer 6.4	5	1
	53209016440			
11	3	Screw		1
	94731112950		0214925	
11	2	Self locking nut M 10	5	1
	53208040255			
12	3	Tie rod		1
	94731121250		0217261	
12	5	Flat washer 6.4	5	1
	94731133853		0217810	
12	7	Cotter pin 1.6x16	5	1
	53298050770			
14	3	Pivot arm assy		1
	53209421427			
15	3	Ring		1
	94731523116			
16	5	Spring 0-9746-465		1
	94731133852		0217810	
17	1	Cotter pin 5x50	5	1
	53291436364			
18	3	Cutting pan up stop		1
	94730920350		0211032	
19	8	Hex screw M 10x30	5	1
	94731112950		0214925	
19	2	Self locking nut M 10	5	1
	53299346215			
20	3	Pin		2
	94731523800			
21	3	Hair pin clip 0-9245-999		2
	94731121450		0217401	
22	3	Spring washer 10	5	1
	94730959901			
22	8	Screw 9-9016-312		1
	94731112050		0214012	
22	3	Hex nut M 10	5	1
	53203732212			
23	3	Gear segment		1
	94731121450		0217401	
23	2	Washer 8	5	2
	94730950351		0211035	
23	8	Screw M 8x20	5	2
	94731112050		0214012	
23	2	Nut M 8	5	2
	94731523803			
26	7	Spring pin 5x22	022156	1
	53298051253			
27	3	Pedal lever		1
	94727315101			
28	2	Pedal pad		1
	94731121450		0217401	
29	2	Washer 8	5	1
	94731112950		0214925	
29	1	Self locking nut M 8	5	2
	53298046282			
30	3	Travel lever		1
	94731112050		0214012	
31	2	Nut M 8	5	1
	94730920353		0211032	
31	0	Hex screw M 8x35	5	1
33	94727315101	Pedal pad FAVORIT		1

	1			
	53298051252			
34	3	Pedal		1
	94744207300			
35	3	Ball joint 16 DIN 71 803 C		1
	94744207300			
36	5	Ball joint 16 DIN 71805B zinc		1
	94731112050		0214012	
37	3	Hex nut M 10	5	1
	94744207300			
38	6	Spring clip 16 DIN 71805S		1
	53298042207			
39	3	Tie rod		1
	94731112951			
40	6	Self locking nut M 10 KL8		1
	94731121050		0217021	
41	7	Flat washer B 17	5	1
	94731133851		0217810	
42	7	Cotter pin 3.2x25	5	1
	94731133851		0217810	
43	7	Cotter pin 3.2x25	5	1
	53298036482			
44	3	Arm		1
	94731121050		0217021	
45	3	Falt washer 8.4	5	1
	94731523803			
46	7	Spring pin 5x22	022156	1
	94731523803			
47	6	Spring pin 5x25	022156	1
	94731523121			
52	0	Spring 0-9746-475		1
	53208031207			
53	3	Arm		2
	94731173301			
54	2	Locking ring 22	022930	1
	53298046239			
55	3	Multiple Frame		1
	94730954350		0211435	
56	4	Hexagon secket screw M 5x35	5	1
	94731121451		0217450	
56	1	Toothed washer 5.3	5	1
	94731112951		0214925	
56	5	Locking nut M 5	5	1
	53209420655			
57	3	Bushing		1
	94731112950		0214925	
58	1	Self locking nut M 8	5	1
	53209421423			
59	3	Bushing		1
	94730901952	Screw M 8x60-8.8 A2L ISO		
60	4	8677		1
	94731112950		0214925	
60	1	Self locking nut M 8	5	1
	94731121050		0217021	
60	3	Falt washer 8.4	5	1
	53208241211			
61	3	Holder		1
	94730954301		0211435	
62	9	Hex screw M 5x50 0-9025-216	0	1
	94731121050		0217021	
62	1	Flat washer 5.3	5	1
63	53209011282	Screw M8 U		1

	3			
	94753215016			
64	9	Damper P22x99 032.2883		1
	53298046240			
71	3	Brake shaft		1
	94731523803			
72	7	Spring pin 5x22	022156	1
	94731121450		0217401	
74	2	Washer 8	5	1
	94730920350		0211032	
74	4	Hex screw M 8x20	5	1
	94731112050		0214012	
74	2	Nut M 8	5	1
	53208041236			
75	3	Holderclamp		1
	53298071222			
76	3	Lever		1
	94753215020	Lever tip 8x40 VINYL-FLEX		
77	9	bl.		1
	94731523116			
78	0	Spring 0-9746-444		1
	94731523803			
81	7	Spring pin 5x22	022156	1
	53298036477			
82	3	Lug		1
	94731133850		0217810	
83	1	Cotter pin 2x20	5	1
	53208041246			
84	3	Brake connection rod		1
	94731112050		0214012	
85	2	Nut M 8	5	1
	53298011208			
86	3	Screw		1
	94731121251		0217290	
87	7	Washer 9 zinc.	5	2
	94731112050		0214012	
88	1	Hex nut M 6	5	2
	94731121050		0217021	
89	3	Falt washer 8.4	5	1
	94731523117			
90	1	Spring 0-9746-449		1
	94731523116			
91	1	Spring 0-9746-445		1
	53298051253			
92	3	Pedal lever		1
	94727315101			
93	2	Pedal pad		1
	94731121050		0217021	
94	3	Falt washer 8.4	5	1
	94742511100			
102	4	Grease fitting MK 6x1	231470	1
	53298046247			
103	3	Switch off fork		1
	94731133850		0217810	
104	1	Cotter pin 2x20	5	1
	94731121251		0217290	
105	7	Washer 9 zinc.	5	1
	94731121450		0217401	
106	2	Washer 8	5	1
	94730920355		0211032	
106	2	Hex screw M 8x18	5	1
106	94731121050	Falt washer 8.4	0217021	1

	3			5	
	53208041271				
108	3	Holderclamp			1
	53201440838				
110	3	Cutting pon up stop			1
	94730920350		0211032		
111	4	Hex screw M 8x20	5		1
	94731112950		0214925		
111	1	Self locking nut M 8	5		1
	94731121050		0217021		
111	3	Falt washer 8.4	5		1





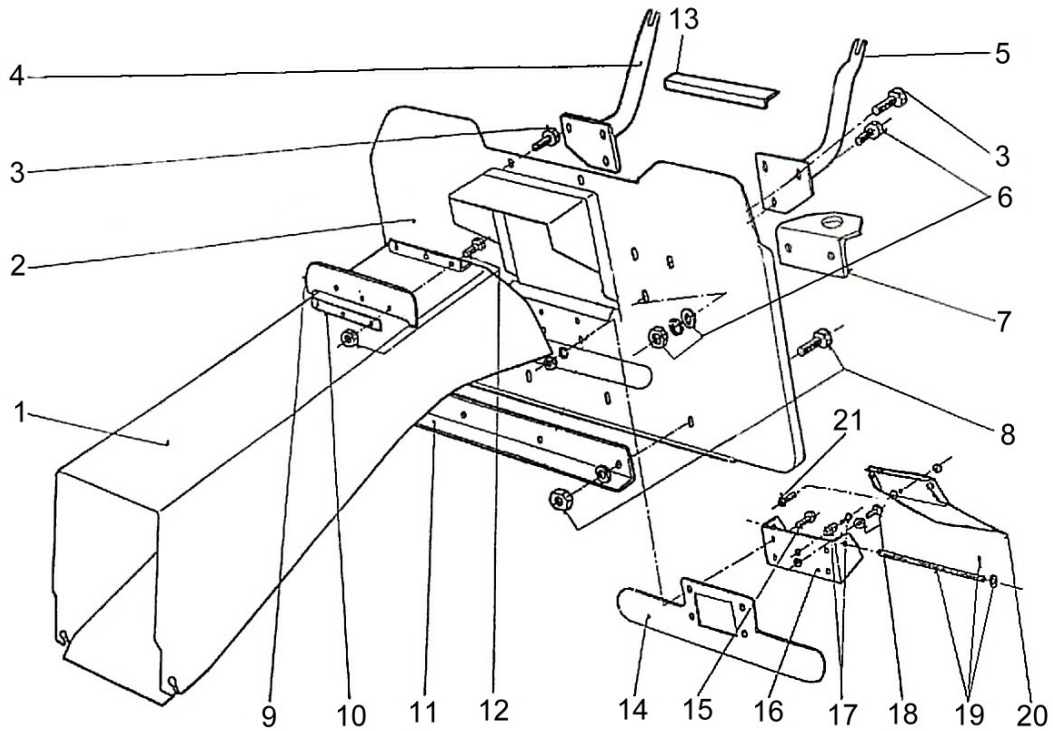
Système de coupe

Poz.	Číslo	Descript	Norma	Poččet
Item	Parts No.		Norm	Q. ty
Pos.	N°de pièce		Norme	Pcs
Pos.	Teile-Nr		Norm	Menge
	53295047208			
1	3	Mower housing assy		1
2	9	Gauge wheel 0-1625-256		4
3	3	Spacer		4
4	4	Hex screw M 8x90	0211012	4
	94731112950		0214925	
5	1	Self locking nut M 8	5	4

53219310289			
6	3	Pin	1
94731523803			
6	5	Hair pin clip 0-9245-240	2
94731523800			
7	3	Hair pin clip 0-9245-999	2
94731161300			
7	2	Pin 1-9310-290	2
53208050350			
8	3	Front suspension mower deck	1
53203812802			
9	3	Blade shaft	1
94731172600			
10	9	Square key 6h9x6x30	022562 1
94731172601			
11	4	Square key 9x6x25	022562 2
94732416206			
12	0	Bearing 6205 A 2RS	024640 4
94731173301			
13	4	Locking ring 25	022930 2
53209821240			
14	3	Blade adaptor	2
94753298007			
15	7	Breaking pin 0-9311-736	4
94731121950		Conical washer BN 806-	
16	3	40x16.3	2
53209220749			
17	3	Washer	2
94730959900			
17	8	Screw M 10x1x35 left	1
53205042253			
18	3	Blade right	1
53205042254			
19	3	Blade left	1
94730959901			
20	7	Hex screw 0-9011-287 M10	1
53203812803			
21	3	Blade shaft	1
94731172601			
22	9	Key 6h9x6x63	022562 1
94731112950			0214925
23	1	Self locking nut M 8	5 6
94731121050			0217021
23	3	Falt washer 8.4	5 6
94730950354			0211035
23	3	Screw M 8x35	5 6
94730950351			0211035
24	8	Screw M 8x20	5 6
53203852383			
25	3	Quill housing	2
53299036234			
26	3	Speedclutch	2
94731112950			0214925
27	5	Self locking nut M 12	5 1
53209220727			
28	3	Washer	1
53293371277			
29	3	Pulley	2
94731112950			0214925
30	5	Self locking nut M 12	5 2
94731121050			0217021
30	5	Flat washer B 13	5 2

31	94731173307 9	Locking ring 40	022931	2
32	94732416209 0	Bearing 6203 2 RS	024640	2
33	53293371274 3	Pulley		1
34	53299312268 3	Pin		2
35	94731112050 2	Nut M 8	0214012 5	1
35	94731121251 7	Washer 9 zinc.	0217290 5	1
35	53291441231 3	Lug		1
36	53209220753 3	Wascher		1
37	53209230396 3	Brace		1
38	94731112950 5	Self locking nut M 12	0214925 5	2
39	53209220770 3	Washer		1
40	53298542331 3	Blade drive plate assy		1
41	94731121450 2	Washer 8	0217401 5	1
41	94730950351 8	Screw M 8x20	0211035 5	1
41	94731121050 3	Falt washer 8.4	0217021 5	1
42	94730901950 1	Screw M 8x20	0213190 5	2
42	94731112950 1	Self locking nut M 8	0214925 5	2
42	94731121050 3	Falt washer 8.4	0217021 5	2
42	94731121050 5	Flat washer B 13	0217021 5	1
44	94731112950 1	Self locking nut M 8	0214925 5	3
50	94730920353 7	Hex screw M 6x18	0211012 5	2
50	94731112951 3	Self locking nut M 6	0214925 5	2
50	94731121251 6	Flat washer 6.6 zinc.	0217291 5	4
51	94727221100 6	Cog belt DS8M1760		1
52	94753215021 0	Belt cover 0-8547-369		1
53	94753215016 5	Pulley 9-3325-234		1
54	53209220727 3	Washer		1
55	94731112950 5	Self locking nut M 12	0214925 5	1
56	53291342240 3	Idler arm assy		1
57	53209221222 3	Washer		1
58	94731121450 2	Washer 8	0217401 5	1

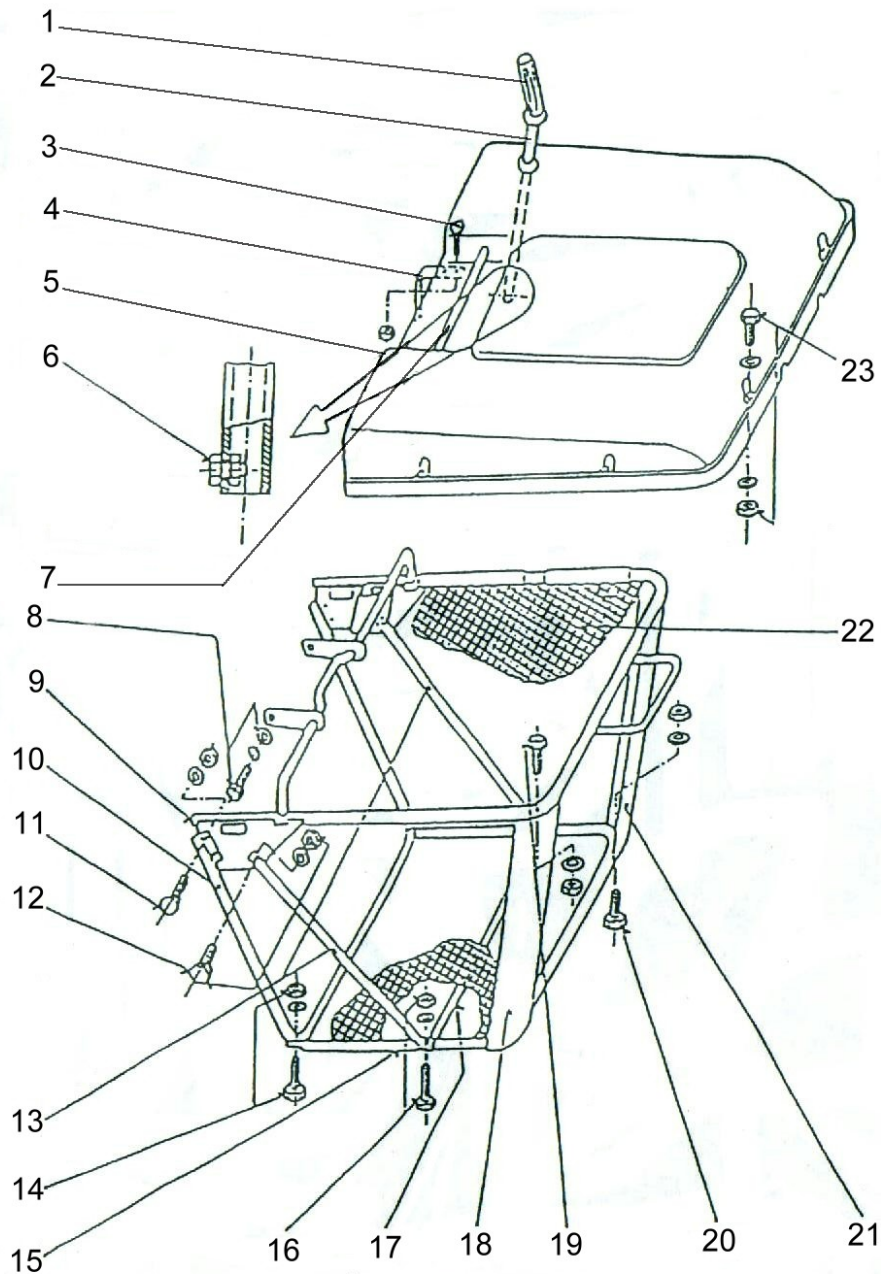
59	6	94730954350	Hexagon socket screw M 8x20	0211435	5	1
60	3	94731523119	Spring 0-9746-460			1
61	3	53211340235	Engagement lever			1
62	0	94731112052	Nut M 8	0214032	5	2
63	2	94727273119	V-belt B17x1400Li			1
64	2	94731112050	Nut M 8	0214012	5	1
65	2	94731121450	Washer 8	0217401	5	1
66	8	94731121250	Flat washer 9 zinc.	021727		1
67	2	94700053200	Idler pulley W 3500-3712			1
68	3	53209321263	Pin			1
69	7	94730920351	Hex screw M 8x25	0211032	5	1
69	1	94731112950	Self locking nut M 8	0214925	5	1
70	3	53209630397	Brace			1
71	3	53209820337	Brace			2
260	1	94731112051	Hex nut M 12	0214032	5	2
261	4	94727311105	Ring 12x2	0292812		2
262	3	53209026246	Speedclutch			2



Ejection - support bac

Poz.	Číslo	Descript	Norma	Poččet
Item	Parts No.		Norm	Q. ty
Pos.	N°de pièce		Norme	Pcs
Pos.	Teile-Nr		Norm	Menge
	53297447225			
1	3	Tunnel-discharge		1
	53297442208			
2	3	Collector plate assy		1
	94730950300	Screw M 8x25 VERBUS RIP KI		
3	5	100		6
	53297443204			
4	3	Collector support right		1
	53297443205			
5	3	Collector support left		1
	94731121450		0217401	
6	2	Washer 8	5	2
	94730957801			
6	1	Hex screw M 8x25 DIN69218.8		2
	94731112050		0214012	
6	2	Nut M 8	5	2
	94731121050		0217021	
6	3	Falt washer 8.4	5	2
	94753215029			
7	6	Tow hitch 1-1340-245		1
	94731121450		0217401	
8	2	Washer 8	5	4
	94730957801			
8	1	Hex screw M 8x25 DIN69218.8		4
	94731112050		0214012	
8	2	Nut M 8	5	4

8	3	94731121050	Falt washer 8.4	0217021	4
		53211332281		5	
9	3	53211530857	Screen		1
10	3	53211340251	Support plate		1
11	3	94730923150	Tow hitch support		1
12	2	94731112050	Screw M 4x12 cyl.head-slotted	0211312	3
		53209636201		5	
12	5	53201535582	Nut M 4	0214012	3
		94730920353		5	
13	3	94731112951	Rubber seal		1
14	3	53291346241	Cover		1
15	9	94730920355	Hex screw M 5x16	0211032	4
		94731112051		5	
15	5	53291346241	Locking nut M 5	0214925	4
		94730923152		5	
16	3	94730920355	Holder		1
17	9	94731112051	Screw M 4x8	0211312	1
		94731112051		5	
18	9	94731112051	Screw M 6x35	0211032	1
		53201410210		5	
18	3	94731112050	Hex nut M 6	0214032	1
		94731112050		5	
19	3	94731133851	Pin		1
19	2	53208535203	Flat washer 6.4	0217021	2
		94730901952		5	
19	4	94731112053	Cotter pin 2x16	0217810	2
		94730901952		5	
20	3	94731112053	Key		1
21	0	94731112053	Screw M 5x20 zinc	0213190	1
		94731112053		5	
21	0		Hex nut M 5	0214032	2
				5	

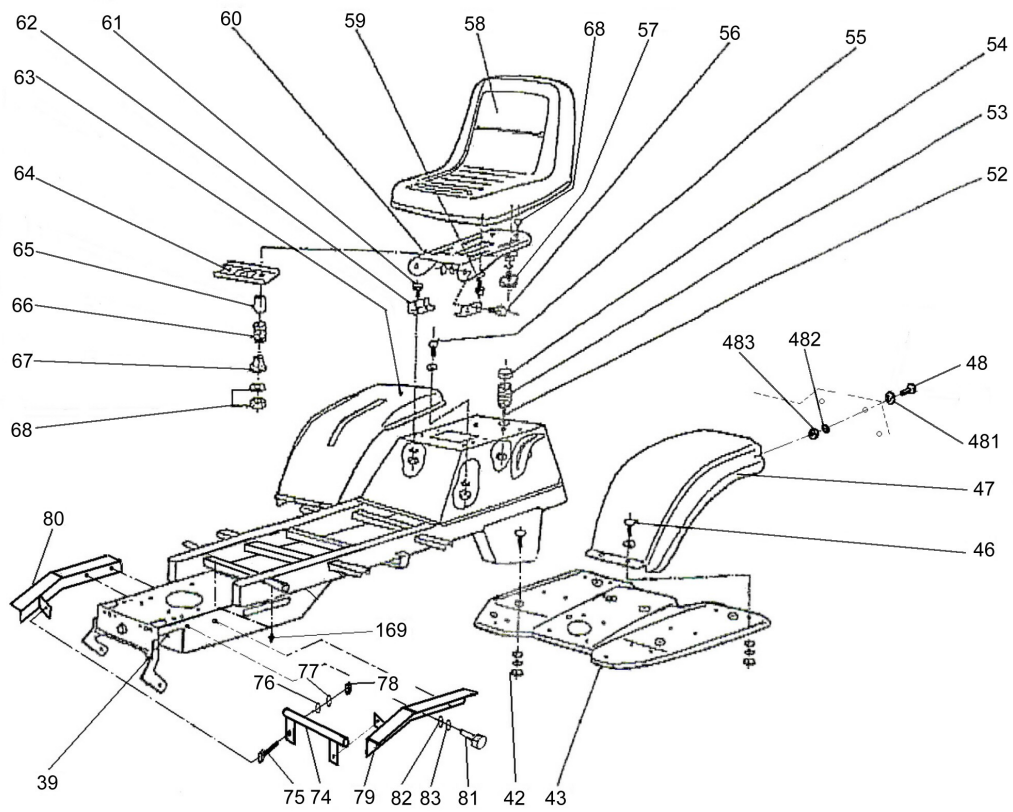
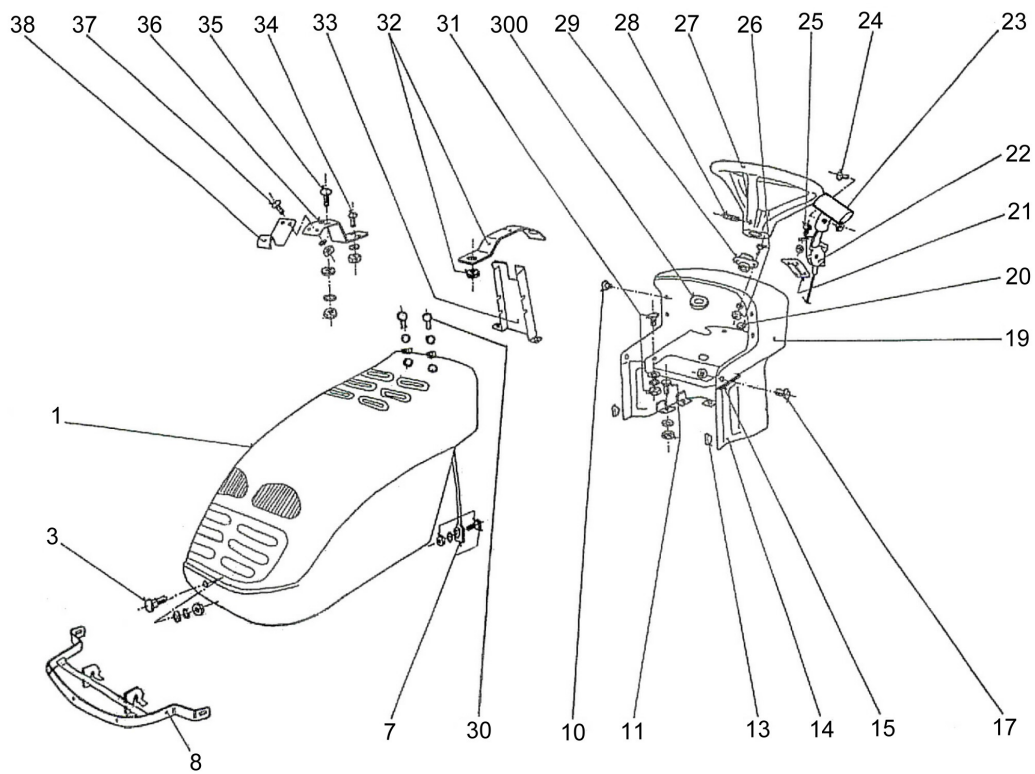


Panier collecteur

Poz.	Číslo	Descript	Norma	Počet
Item	Parts No.		Norm	Q. ty
Pos.	N°de pièce		Norme	Pcs
Pos.	Teile-Nr		Norm	Menge
	94753215000			
1	7	Handle grip R/CM PR.25		1
	53201420294			
2	3	Dumping lever		1
	94730925151		0211512	
3	3	Screw M 5x12 flat head-slotted	5	2
	94731112951		0214925	
3	5	Locking nut M 5	5	2
	94731523117			
4	7	Spring 0-9740-209		1

5	3	94753215019	Collector cover red 0-7447-216		1
5	6	94753215019	Collector cover gr. 0-7447-225		1
6	8	94730920354	Hex screw M 5x12	0211032	1
6	5	94731112951	Locking nut M 5	0214925	1
7	3	53298020210	Lift handle		1
8	2	94731121450	Washer 8	0217401	2
8	8	94731121250	Flat washer 9 zinc.	021727	2
8	4	94730920350	Hex screw M 8x20	0211032	2
9	7	94753215011	Top frame assy 9-7447-229		1
10	3	53297444201	Front frame assy		1
11	4	94730901951	Carriage bolt M 5x16	021319	4
11	4	94731121251	Flat washer 5.5 zinc.	021729	4
11	5	94731112951	Locking nut M 5	0214925	4
12	9	94730920353	Hex screw M 5x16	0211032	2
12	5	94731112951	Locking nut M 5	0214925	2
12	1	94731121050	Flat washer 5.3	0217021	2
13	3	53207426202	Brace		2
14	5	94730920355	Hex screw M 5x30	0211032	2
14	5	94731112951	Locking nut M 5	0214925	2
14	1	94731121050	Flat washer 5.3	0217021	2
15	3	53297446201	Bottom frame assy		1
16	6	94730920355	Hex screw M 5x35	0211032	2
16	5	94731112951	Locking nut M 5	0214925	2
16	1	94731121050	Flat washer 5.3	0217021	2
17	3	53207426201	Connecting brace		1
18	3	53207442227	Left corner support		1
19	5	94731112951	Locking nut M 5	0214925	2
19	7	94730920355	Hex screw M 5x25	0211032	2
19	1	94731121050	Flat washer 5.3	0217021	2
20	5	94731112951	Locking nut M 5	0214925	2
20	7	94730920355	Hex screw M 5x25	0211032	2

20	1	94731121050	Flat washer 5.3	0217021	5	2
21	3	53207442226	Right corner support			1
22	5	94753215013	Grass collector BAG 9-7432-202			1
23	4	94731121251	Flat washer 5.5 zinc.	021729		6
23	5	94730920355	Hex screw M 5x30	0211032		6
23	5	94731112951	Locking nut M 5	0214925		6
23	1	94731121050	Flat washer 5.3	0217021	5	6



Carrosserie

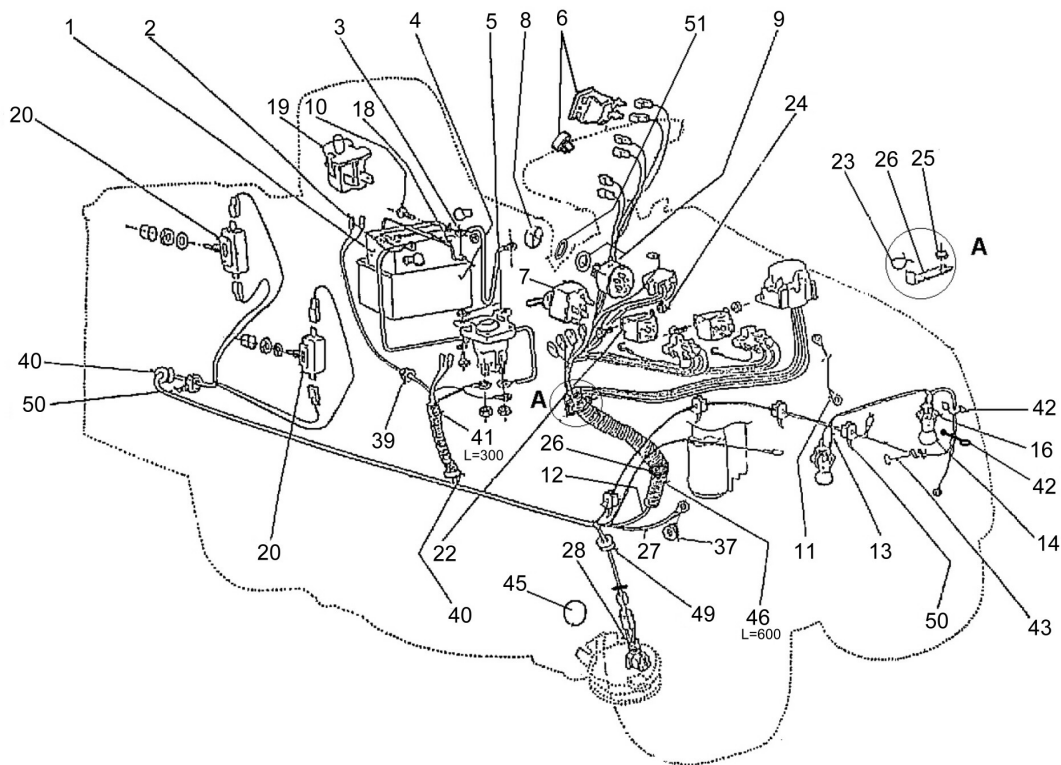
Poz.	Číslo	Descript	Norma	Počet
Item	Parts No.		Norm	Q. ty
Pos.	N°de pièce		Norme	Pcs
Pos.	Teile-Nr		Norm	Menge
	94753215024			
1	2	Hood assy green 9-1849-262		1
	94753215024			
1	5	Hood assy red 9-1849-265		1
	94731112050		0214012	
3	6	Nut M 5	5	5
	94731121251		0217261	
3	1	Flat washer 5.3	5	5
	94730901952		0213190	
3	0	Screw M 5x20 zinc	5	5
	94731121450		0217401	
3	7	Spring washer 5	5	5
	53201345212			
7	3	Hood brace		1
	94730901951			
7	4	Carriage bolt M 5x16	021319	2
	94731112951		0214925	
7	5	Locking nut M 5	5	2
	94731121050		0217021	
7	1	Flat washer 5.3	5	2
	53291846211			
8	3	Hood holder		1
	94753215023			
10	8	Plug 0-8515-204 nylon		2
	94731121450		0217401	
11	2	Washer 8	5	4
	94730920351		0211032	
11	7	Hex screw M 8x25	5	4
	94731121251		0217290	
11	7	Washer 9 zinc.	5	4
	53209634207			
13	3	Trim		2
	53298047209			
14	3	Steering column		1
	53209634215			
15	3	Trim		1
	94731112951		0214925	
17	4	Self locking nut M 4	5	2
	94730925151		0211512	
17	6	Head-slotted screw M 4x12	5	2
	94753215020			
19	2	Dashpanel 0-8048-215		1
	94727312101			
20	4	Bushing 9x2	6338811	1
	53211530858			
21	3	Brace		2
	94700044300			
22	1	Throttle lever assy 25-1105		2
	94772264301			
23	4	Knob throttle 0-8060-235		1
	94730923150		0211312	
24	5	Screw M 4x10 cyl.head-slotted	5	1
	94731112951		0214925	
24	4	Self locking nut M 4	5	1
	94730925151		0211512	
25	4	Screw M 5x14	5	4
25	94731112951	Locking nut M 5	0214925	4

	5		5	
	94730957850			
26	3	Screw M 6x25 DIN 7991		2
	94731112951		0214925	
26	3	Self locking nut M 6	5	2
	94731121050		0217021	
26	2	Flat washer 6.4	5	2
	94744382100			
27	3	Steering wheel 0-8020-265		1
	94731523803		0221560	
28	1	Spring pin 6x45	0	1
	94732184105			
29	9	St.wheel bushing 0-1652-224		1
	94730901951			
30	4	Carriage bolt M 5x16	021319	2
	94731112050		0214012	
30	6	Nut M 5	5	2
	94731121450		0217401	
30	7	Spring washer 5	5	2
	94731121050		0217021	
30	1	Flat washer 5.3	5	2
	94731121251			
31	4	Flat washer 5.5 zinc.	021729	4
	94730920353		0211032	
31	9	Hex screw M 5x16	5	6
	94731112951		0214925	
31	5	Locking nut M 5	5	6
	94731121050		0217021	
31	1	Flat washer 5.3	5	2
	53201342435			
32	3	Fuel tank holder		1
	94727312102			
32	7	Bushing 22x2	6338811	1
	53201342437			
33	3	Brace		1
	94730920354		0211032	
34	8	Hex screw M 5x12	5	1
	94731112951		0214925	
34	5	Locking nut M 5	5	2
	94731121050		0217021	
34	1	Flat washer 5.3	5	2
	94730901951			
35	4	Carriage bolt M 5x16	021319	2
	94731112050		0214012	
35	6	Nut M 5	5	2
	94731121450		0217401	
35	7	Spring washer 5	5	2
	94731121050		0217021	
35	1	Flat washer 5.3	5	2
	53201342439			
36	3	Panel brace		1
	94731121050		0217021	
37	6	Flat washer 4.3	5	2
	94731112951		0214925	
37	4	Self locking nut M 4	5	2
	94730920355		0211032	
37	1	Hex screw M 4x10	5	2
	53209741201			
38	3	Spring		1
	53291296237			
39	3	Chassis frame		1
42	94731121450	Washer 8	0217401	6

	2		5	
	94730901950		0213190	
42	1	Screw M 8x20	5	6
	94731112050		0214012	
42	2	Nut M 8	5	6
	94731121050		0217021	
42	3	Falt washer 8.4	5	6
	53201847327			
43	3	Centre frame foot rest		1
	94731112050		0214012	
46	6	Nut M 5	5	6
	94731121251			
46	4	Flat washer 5.5 zinc.	021729	4
	94730957850	Carr. bolt M 5x20 DIN		
46	2	799110.9		4
	94731121950			
46	1	Washer 5 SN213912 BN1276		4
	94731121450		0217401	
46	7	Spring washer 5	5	4
	94753215018			
47	7	Fender left green 0-1847-273		1
	94753215018			
47	6	Fender left red 0-1847-272		1
	94730920351		0211032	
48	8	Hex screw M 4x16	5	6
	94730920350		0211032	
52	4	Hex screw M 8x20	5	2
	94731112950		0214925	
52	1	Self locking nut M 8	5	2
	94731121050		0217021	
52	3	Falt washer 8.4	5	2
	94731121251		0217290	
52	7	Washer 9 zinc.	5	2
	94731523112			
53	4	Seat spring 0-9746-434		2
	94753215020			
54	8	Cap 38 A/PVC black		2
	94731112050		0214012	
55	6	Nut M 5	5	4
	94731121251			
55	4	Flat washer 5.5 zinc.	021729	4
	94730957850	Carr. bolt M 5x20 DIN		
55	2	799110.9		4
	94731121950			
55	1	Washer 5 SN213912 BN1276		4
	94731121450		0217401	
55	7	Spring washer 5	5	4
	53209016427			
56	3	Screw		2
	94731112050		0214012	
56	2	Nut M 8	5	2
	94731121050		0217021	
56	3	Falt washer 8.4	5	2
	94731121900			
57	2	Washer 8x12x2 BN 739		2
	94753215021			
57	3	Locknut M 8x18 black		2
	94731121350		0217330	
57	3	Flat washer 8.4 zinc.	5	2
	94753215021			
58	2	Seat SEAT - OTTO		1
59	94731121450	Washer 8	0217401	2

	2		5	
	94731121900			
59	2	Washer 8x12x2 BN 739		2
	94730920350		0211032	
59	4	Hex screw M 8x20	5	2
	94731121050		0217021	
59	3	Falt washer 8.4	5	2
	53201847243			
60	3	Seat support		1
	94731121450		0217401	
61	2	Washer 8	5	4
	94730920350		0211032	
61	3	Hex screw M 8x16	5	4
	94731112050		0214012	
61	2	Nut M 8	5	4
	94731121050		0217021	
61	3	Falt washer 8.4	5	4
	53211340240			
62	3	Seat support bracket		2
	94753215018			
63	8	Fender right light green		1
	94753215019			
63	1	Fender right, red 0-1847-292		1
	53298336215			
64	3	Bracket		1
	53219520290			
65	3	Spacer		2
	94731523119			
66	4	Spring 0-9746-461		2
	94772264301			
67	9	Bushing 0-9421-424		2
	94731121252		0217271	
68	0	Washer 6	5	1
	94730901951			
68	9	Screw M 6x35 zinc	021319	2
	94731112951		0214925	
68	3	Self locking nut M 6	5	2
	53291340295			
74	3	Hood holder		1
	94730920350		0211032	
75	4	Hex screw M 8x20	5	2
	94731121450		0217401	
76	2	Washer 8	5	2
	94731121050		0217021	
77	3	Falt washer 8.4	5	2
	94731112050		0214012	
78	2	Nut M 8	5	2
	53291336828			
79	3	Left complete bracket		1
	53291336827			
80	3	Richt complete bracket		1
	94730920350		0211032	
81	7	Screw M 10x20	5	4
	94731121002		0217021	
82	6	Washer B 10.5	0	4
	94731121450		0217401	
83	3	Spring washer 10	5	4
	94742511100			
169	4	Grease fitting MK 6x1	231470	2
	53209634205			
300	3	Rubber grommet		1
481	94731121050	Flat washer 4.3	0217021	6

	6			5	
	94731112951			0214925	
482	4	Self locking nut M 4		5	6
	94731121251				
483	8	Flat washer 5.5 zinc.		021727	6

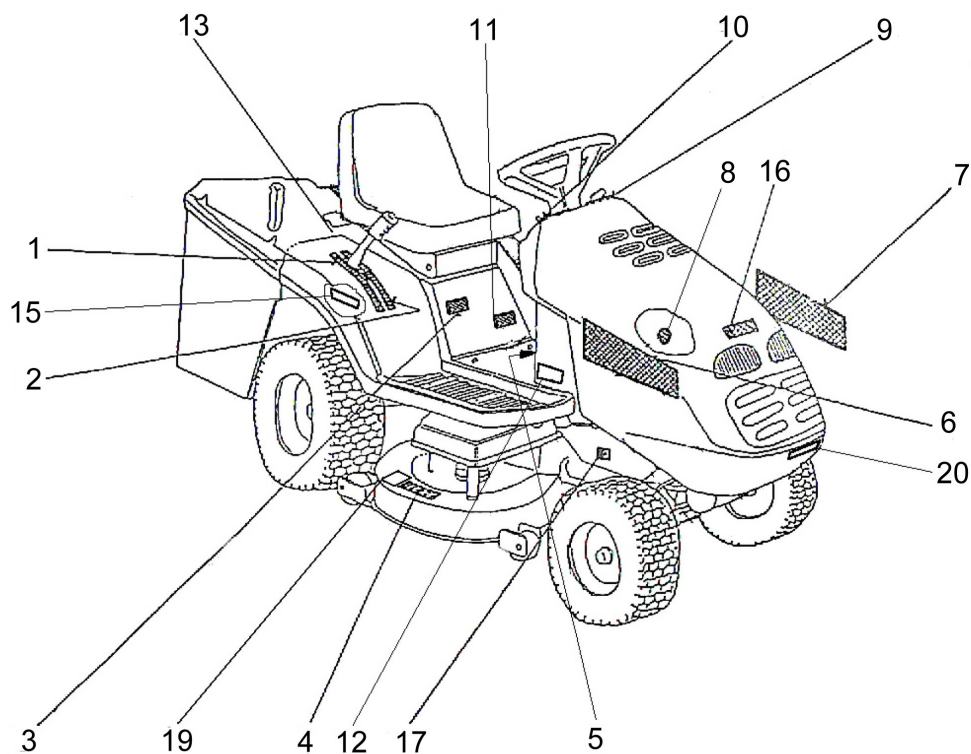


Equipement électrique

Poz.	Číslo	Descript	Norma	Počet
Item	Parts No.		Norm	Q. ty
Pos.	N°de pièce		Norme	Pcs
Pos.	Teile-Nr		Norm	Menge
	94734621100			
1	6	Akumulator 12V-24H		1
	94727312500			
2	6	Rubber boot		1
	94734127100			
2	5	Battery cable + 9-8316-552		1
	94727312500			
3	6	Rubber boot		1
	94734127102			
3	1	Battery cable - 9-8316-570		1
	94723213000			
4	1	Battery box 0-2765-201		1
	94730920351		0211032	
5	9	Hex screw M 6x12	5	2
	94731112951		0214925	
5	3	Self locking nut M 6	5	2
	94731121050		0217021	
5	2	Flat washer 6.4	5	2
	94700053203			
5	3	Solenoid 12V CLUM 94 255		1
	94700044300			
6	4	Switch 8006 K 35 N 1V2		1
	94700034500			
6	1	Switch 8006 K 23 N 1V2		2
7	94731121950	Washer 12 DIN 6798-J BN 782		1

2	94700053203			
7	9	Blade clutch switch G 671		1
	94754871201			
8	1	Ring 406-15/25		1
	53209220751			
9	3	Flat washer		1
	94744386100			
9	5	3 position key switch INDAK		1
	94730920350		0211032	
10	2	Screw M 6x20	5	2
	94731112951		0214925	
10	3	Self locking nut M 6	5	2
	94734127100			
11	6	Electrical lead 9-8316-553		1
	94734127102			
12	9	Main wiring harn.9-8319-312		1
	94734127103			
13	0	Wirring Harness 9-8316-572		1
	94734722400			
14	6	Light bulb 12V 10W K20		2
	94744395300			
16	1	Lamp socket		2
	94753288004			
18	1	Battery clamp		1
	94700053207			
19	9	Seat switch DELTA 6440-04		1
	94731121050		0217021	
20	5	Flat washer B 13	5	2
	94735811302			
20	6	Microswitch MKO-10-01		2
	94744381100			
22	4	Relay		2
	53211340258			
23	3	Holder		1
	94730920354		0211032	
24	8	Hex screw M 5x12	5	2
	94731112951		0214925	
24	5	Locking nut M 5	5	2
	94731121050		0217021	
24	1	Flat washer 5.3	5	2
	94731112951		0214925	
25	5	Locking nut M 5	5	1
	94753215020			
26	7	Clip RT 360-150		5
	94734127100			
27	4	El. starter lead 9-8316-550		1
	94734127105			
28	2	Protective diode		1
	94731112250	Rubber boot W 1/4"-20 UNC		
37	1	zinc		1
	94727312101			
39	4	Bushing 9x2	6338811	1
	94727312102			
40	7	Bushing 22x2	6338811	2
	94728613400			
41	2	Flexible tube		1**
	94732184107			
42	1	Cable clips		4
	94730920350		0211032	
43	3	Hex screw M 8x16	5	1
43	94731112050	Nut M 8	0214012	1

	2		5	
	94731121451		0217450	
43	5	Flat washer 8.4	5	1
	94731121251		0217290	
43	7	Washer 9 zinc.	5	1
	94753215012			
43	5	Holder 0-8345-206		1
	94753215005			
45	5	Cap "KAPSTO" GPN 910-D53		1
	94728613400			
46	2	Flexible tube		1**
	94727312102			
49	9	Beshing 22x4	6338811	1
	94753215021			
50	1	Clip WSBH-1-01		8
	94731129000			
51	2	Washer 0-9220-747		1



10

Étiquettes

Poz.	Číslo	Descript	Norma	Poččet
Item	Parts No.		Norm	Q. ty
Pos.	N°de pièce		Norme	Pcs
Pos.	Teile-Nr		Norm	Menge
	94728329225			
1	3	Label of lifting r 0-8732-376		1
	94728329220			
2	1	Label of lifting l. 0-8732-318		1
	94728329222			
3	8	Label 0-8732-336		1
	94728329212			
4	1	Self-adhes.label mowing safety		1
	94728329223			
5	0	Label 0-8732-358		1
	94728329222	Label STARJET right 0-8732-		
6	5	345		1
	94728329222			
7	4	Decal STARJET left 0-8732-444		1
	94728329230			
8	2	Self-adhes.label 0-8732-395		1
	94728329220			
9	3	Dashpanel decal 0-8732-283		1
	94728329220			
10	4	Dashpanel decal r. 0-8732-282		1
	94728329215			
11	9	Self-adhes.label tilt		1

	94728329232		
12	7	Label 0-8732-444	1
	94728329212		
13	6	Decal arrow 0-8730-509	1
	94728329219		
15	2	Hydro locking decal 0-8732-311	1
	94728329219		
16	8	Self-adhes.label AGS	1
	94728329222		
17	3	Self-adhes.label,safety instru	2
	94728329241		
19	8	Self-adhes.label noise	1
	94728329234		
20	8	Label 0-8732-455	1