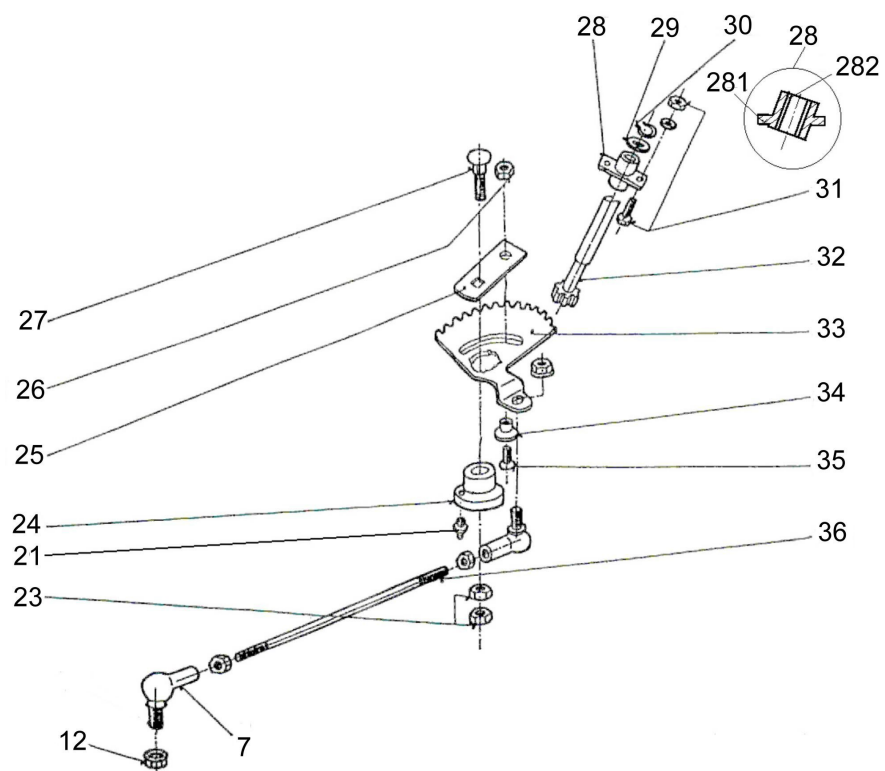
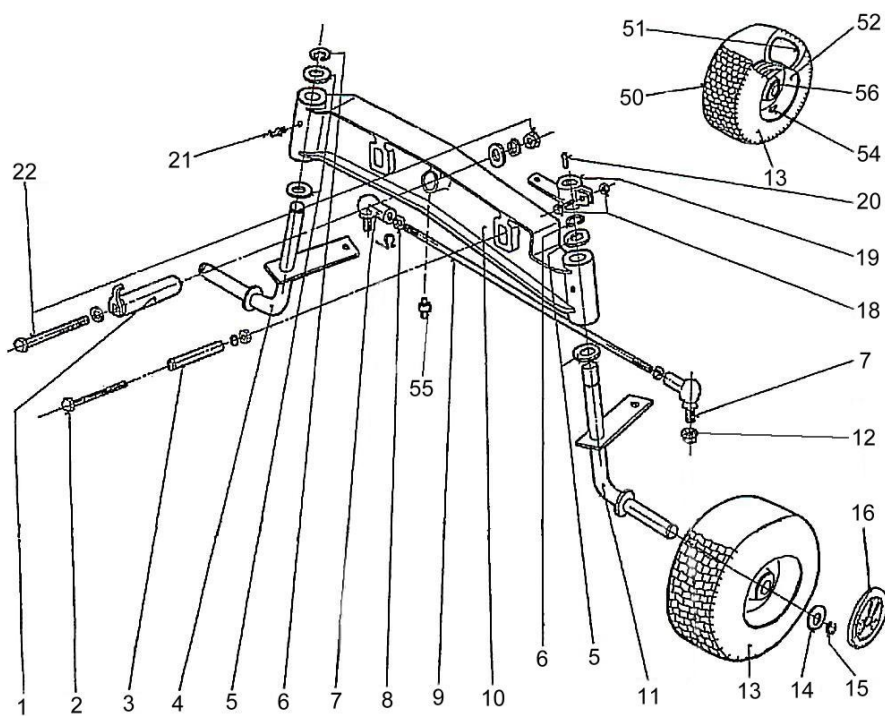


Groupe moteur

Poz.	Číslo	Descript	Norma	Počet
Item	Parts No.		Norm	Q. ty
Pos.	N°de pièce		Norme	Pcs
Pos.	Teile-Nr		Norm	Menge
1	947000482003	Engine 18 HP-V-TWIN		1
2	947443900070	Exhaust system 9-2747-215		1
3	532985423333	Exhaust cover		1
5	947311214501	Spring washer 6	0217401	4
5	947309203501	Hex screw M 6x16	5 0211032	4
5	947311210502	Flat washer 6.4	5 0217021	4
7	947311214502	Washer 8	5 0217401	4
7	947311120502	Nut M 8	5 0214012	4
7	947309203530	Hex screw M 8x35	5 0211032	4
8	532927262043	Extension		1
9	532199202263	Fuel line		1
10	947000532058	Fuel line clamp UM 5008		2
15	947315238005	Spring clip 0-9245-233		1

16	947321841017	Fuel tank cap	1
17	532027662053	Fuel tank	1
20	947532980071	Hook 0-9242-240	1

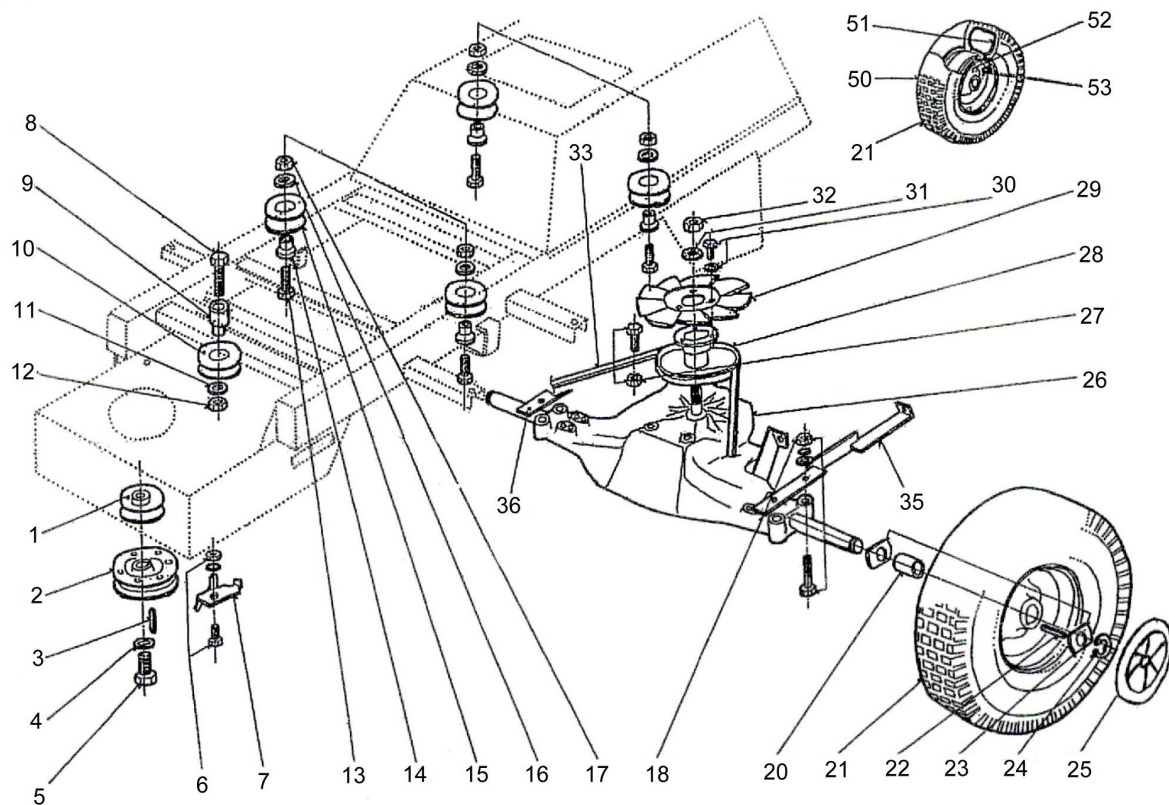


Essieu avant et direction

Poz. Číslo	Descript	Norma	Počet
Item Parts No.		Norm	Q. ty

Pos.	N°de pièce		Norme	Pcs
Pos.	Teile-Nr		Norm	Menge
	53299316434			
1	3	Pin		1
	94731121450		0217401	
2	3	Spring washer 10	5	2
	94730920154		0211012	
2	0	Hex screw M 10x80	5	2
	94731112050		0214012	
2	3	Hex nut M 10	5	2
	53219520291			
3	3	Spacer		2
	53291643202			
4	3	Spindle, right		1
	94731121051		0217021	
5	4	Flat washer 19	5	4
	94731173200			
6	8	Spring clip "C" 15	022929	2
	94732416287			
7	5	Angular joint	024630	4
	94731112050		0214012	
8	3	Hex nut M 10	5	4
	94753298001			
9	0	Tie rod 0-9010-517		1
	53201654202			
10	3	Front axle		1
	53291643203			
11	3	Spindle, left		1
	94731112951			
12	6	Self locking nut M 10 KL8		4
	94753294011			
13	1	Front tyre wheel 16"/6.50x8		2
	94731173200			
15	8	Spring clip "C" 15	022929	2
	53291647204			
16	3	Wheel cover		2
	94730920352		0211032	
18	4	Hex screw M 6x40	5	1
	94731112951		0214925	
18	3	Self locking nut M 6	5	1
	53208050352			
19	3	Steering spindle lever		1
	94731172800		3013851	
20	3	Square key 5x7.5	2	1
	94742511100			
21	4	Grease fitting MK 6x1	231470	3
	53209220748			
22	3	Washer (SP)		1
	94731112050		0214012	
22	4	Hex nut M 12	5	1
	94731121450		0217401	
22	4	Spring washer 12	5	1
	94730950153		0211012	
22	4	Hex screw M 12x100	5	1
	94731121050		0217021	
22	5	Flat washer B 13	5	1
	94731112050		0214012	
23	4	Hex nut M 12	5	2
	53208027203			
24	3	Eccentric		1
	53211332280			
25	3	Re-inforcement plate		1

	94731112052		0214032	
26	0	Nut M 8	5	1
	94730901952		0213195	
27	2	Screw M 12x55-8.8 A3L ISO 8677	5	1
	94731121051		0217021	
29	4	Flat washer 19	5	1
	94731173200			
30	8	Spring clip "C" 15	022929	1
	94730950355		0211035	
31	7	Screw M 6x18	5	2
	94731112951		0214925	
31	3	Self locking nut M 6	5	2
	94731121251		0217291	
31	6	Flat washer 6.6 zinc.	5	2
	53293025208			
32	3	Steering sheft pinion gear		1
	53203332205			
33	3	Sector gear		1
	53219520259			
34	3	Spacer		1
	94730957850			
35	6	Slotted screw M 8x30 DIN		1
	94753298007			
36	9	Drag link 0-9010-537		1
	94700053212			
50	3	Tyre 16x6.50-8		2*
	94700053212			
51	5	Tube 16x6.50-8		2*
	94700053212			
52	4	Wheel 16x6.50-8		2*
	94700053213			
54	5	Tyre valve compl.		2*
	94742511101			
55	6	Grease fitting MK 8x1	231470	1
	94732419601			
56	6	Lower steering support 3/4"TIC		4
	53209220807			
58	3			2
	53293854204			
281	3	Lower steering support		1
	94732372100			
282	2	Bushing 1920 KU		1

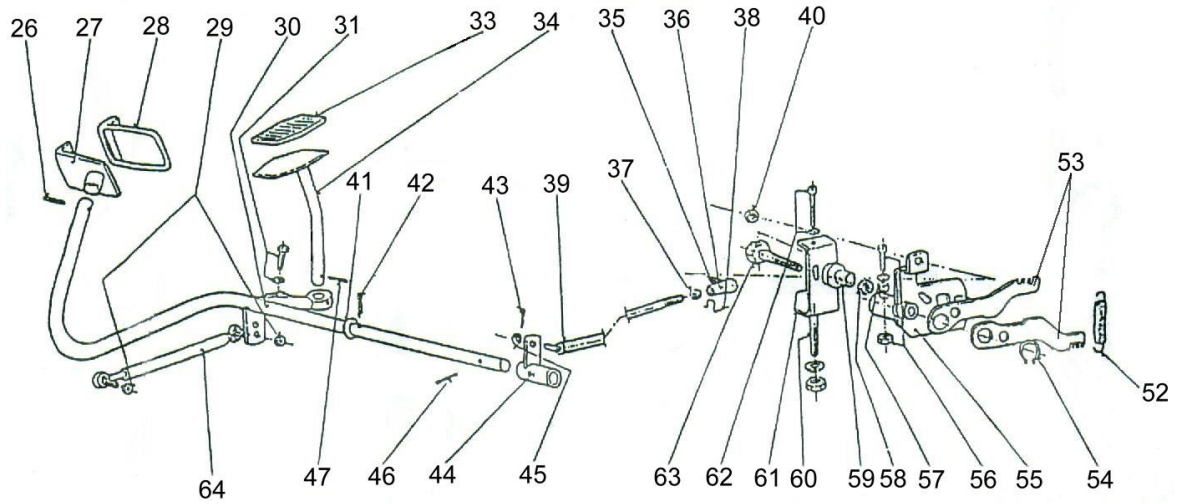
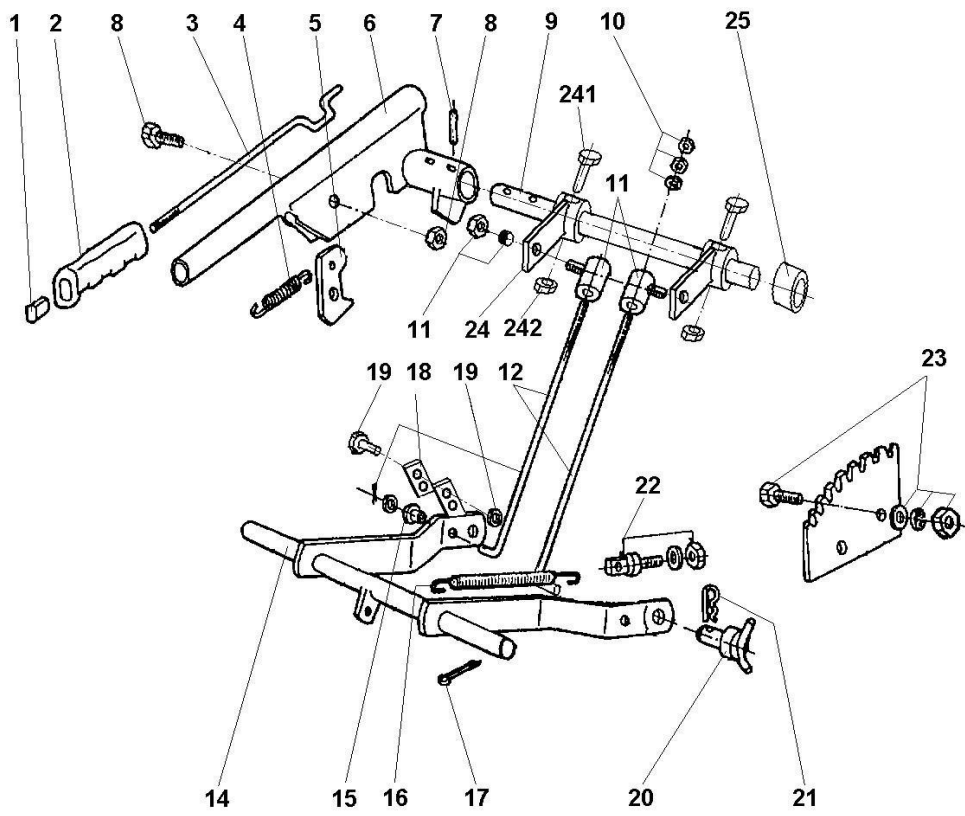


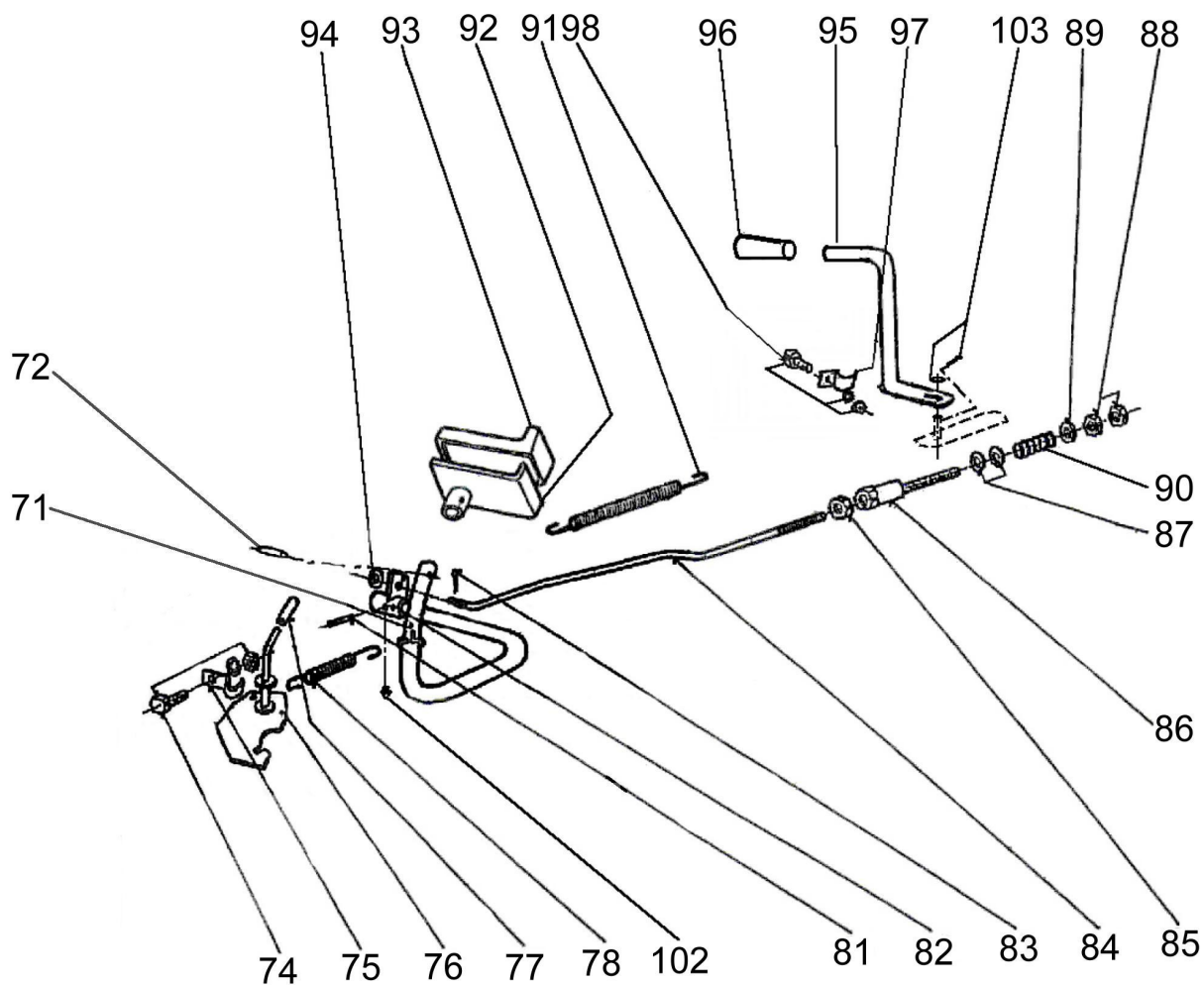
Transmission - roues ar

Poz.	Číslo	Descript	Norma	Počet
Item	Parts No.		Norm	Q.ty
Pos.	N°de pièce		Norme	Pcs
Pos.	Teile-Nr.		Norm	Menge
	94700053201			
1	2	Engine pulley S1A-350		1
	94700053201			
2	0	El. magnet. clutch MSS-80HC		1
	94731172608			
3	2	Square key 0-9231-214		1
	94731121401			
4	2	Spring washer 7/16" zinc	021740	1
	94730957950			
5	4	Hex screw UNF 7/16"x21/4"		1
	94731121450		0217401	
6	2	Washer 8	5	1
	94730920350		0211032	
6	4	Hex screw M 8x20	5	1
	94731112050		0214012	
6	2	Nut M 8	5	1
	53299016315			
8	3	Screw compl.		1
	53209421417			
9	3	Bushing		1
	94700053200			
10	3	Idler pulley F 3000-0750		1
	94731121450		0217401	
11	3	Spring washer 10	5	1

	94731121050		0217401	
11	4	Flat washer B 10,5	5	1
	94731112050		0214012	
12	3	Hex nut M 10	5	1
	94730920151		0211012	
13	2	Hex screw M 10x40	5	4
	53209421418			
14	3	Bushing		4
	94700053200			
15	6	Belt pulley V 3000-3316		4
	94731121050		0217401	
16	4	Flat washer B 10,5	5	4
	94731112950		0214925	
17	2	Self locking nut M 10	5	4
	94731121450		0217401	
18	2	Washer 8	5	4
	94731112050		0214012	
18	2	Nut M 8	5	4
	94730920151		0211012	
18	0	Hex screw M 8x80	5	4
	94731121050		0217021	
18	3	Falt washer 8.4	5	8
	53219520278			
20	3	Spacer		2
	94700053209			
21	4	Rear tyre wheel assy 20x10-8		2
	53209231216			
22	3	Spring		2
	53209220739			
23	3	Washer (SP)		4
	94731173200			
24	8	Spring clip "C" 15	022929	2
	53291647204			
25	3	Wheel cower		2
	94700053209			
26	2	Transm. HYDRO-GEAR 328-0650		1
	94730920150		0211015	
27	7	Hex screw M 8x40	5	1
	94731112950		0214925	
27	1	Self locking nut M 8	5	1
	94731121050		0217021	
27	3	Falt washer 8.4	5	2
	53293325229			
28	3	Driven pulley		1
	94700053209			
29	6	Fan 70x1.19 BLADE		1
	94730920354		0211032	
30	0	Hex screw M 6x14	5	3
	94731121050		0217021	
30	2	Flat washer 6.4	5	3
	94731121451		0217450	
31	3	Washer 13	5	1
	94700053209			
32	8	Nut 1/2-20 UNF		1
	94727272101			
33	6	V-belt SPA 12.5x2725 La		1
	53291336795			
35	3	Left complete bracket		1
	53291336794			
36	3	Right complete bracket		1
	94700053213			
50	2	Tyre 20x10.00-8		2*

51	3	94700053213	Tube 20x10.00-8	2*
52	4	94700053213	Wheel 20x10.00-8	2*
53	5	94700053213	Tyre valve compl.	2*





Relevage tondeuse - Levier

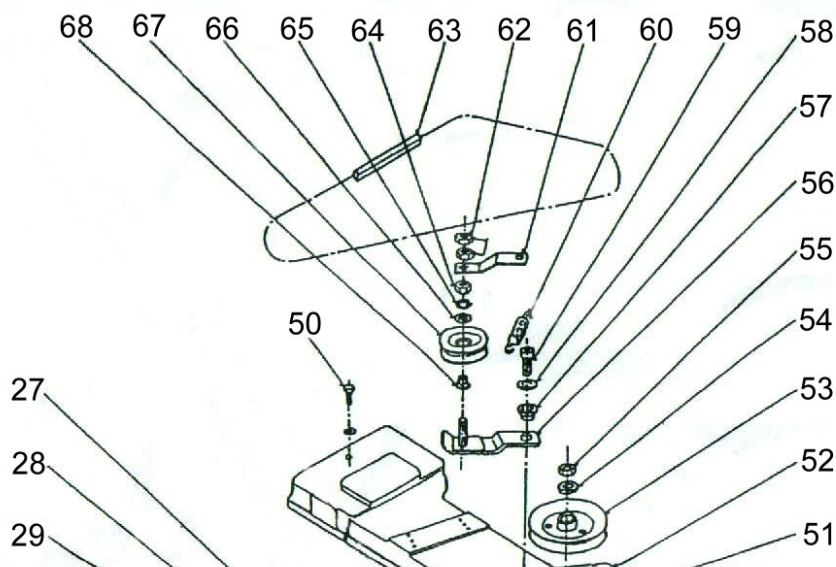
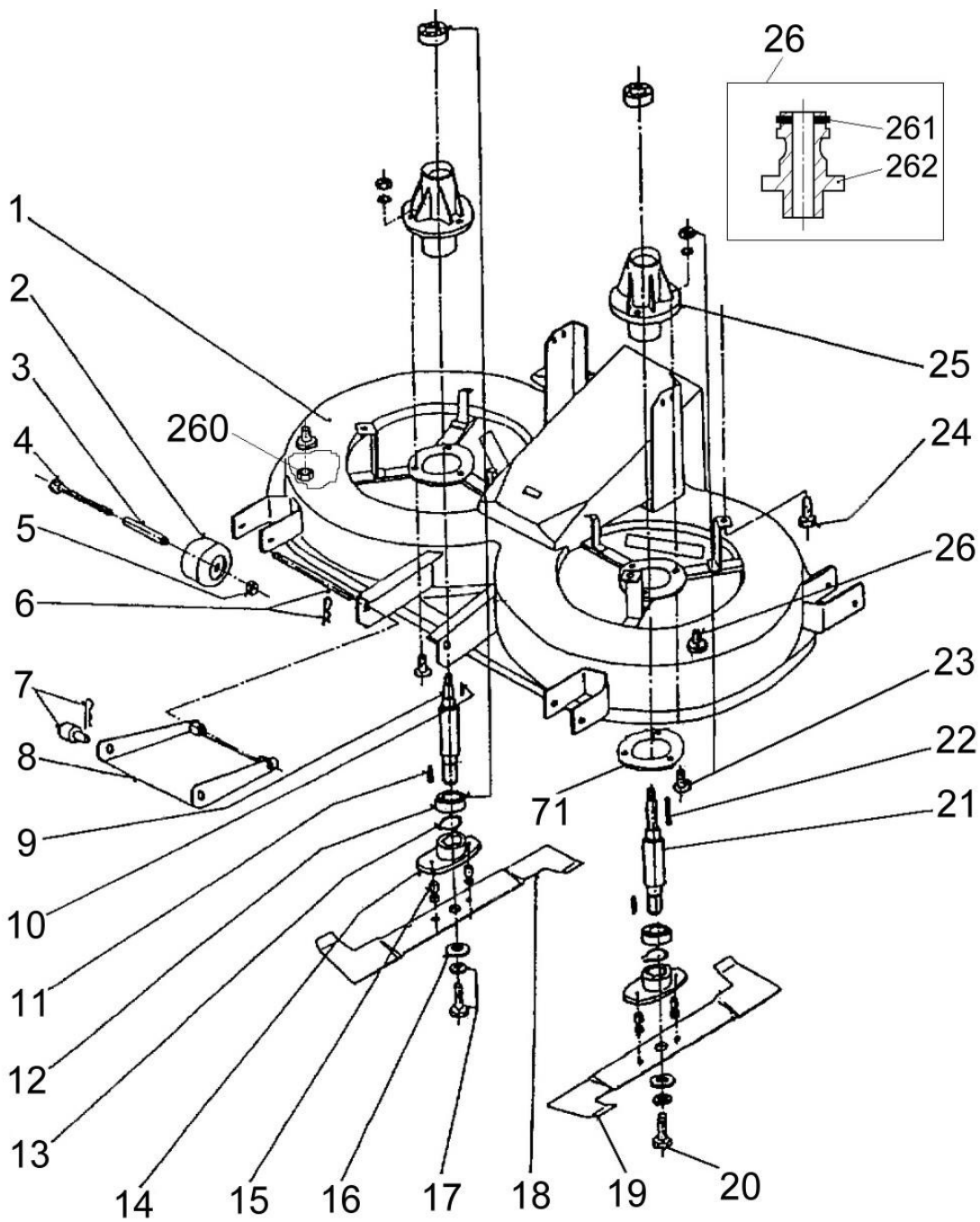
Poz.	Číslo	Descript	Norma	Poččet
Item	Parts No.		Norm	Q. ty
Pos.	N°de pièce		Norme	Pcs
Pos.	Teile-Nr.		Norm	Menge
	94772264301			
1	6	Plunger button 0-8025-234		1
	94753215004			
2	9	Handle grip 0-8060-236		1
	94731523803			
3	4	Connecting rod 0-8045-237		1
	94731523115			
4	8	Spring 0-9746-439		1
	53203732211			
5	3	Ratchet pivot plate		1
	53298052216			
6	3	Height adj. arm lever		1
	94731523804			
7	1	Spring pin 6x30	022156	2

8	7	94730920351	Hex screw M 8x25	0211032	5	1
8	1	94731112950	Self locking nut M 8	0214925	5	1
9	3	53291346253	Shaft			1
10	2	94731112050	Nut M 8	0214012	5	2
10	3	94731121050	Falt washer 8.4	0217021	5	1
11	3	53209016447	Screw			1
11	2	94731112950	Self locking nut M 10	0214925	5	1
12	3	53208040268	Tie rod			1
12	6	94731133850	Cotter pin 3.2x18	0217810	5	1
12	3	94731121050	Falt washer 8.4	0217021	5	1
14	3	53298050798	Pivot arm assy			1
15	3	53209421437	Ring			1
16	5	94731523116	Spring 0-9746-465			1
17	1	94731133852	Cotter pin 5x50	0217810	5	1
18	3	53291436364	Cutting pan up stop			1
19	8	94730920350	Hex screw M 10x30	0211032	5	1
19	2	94731112950	Self locking nut M 10	0214925	5	1
20	3	53299346215	Pin			2
21	3	94731523800	Hair pin clip 0-9245-999			2
22	3	94731121450	Spring washer 10	0217401	5	1
22	8	94730959901	Screw 9-9016-312			1
22	3	94731112050	Hex nut M 10	0214012	5	1
23	3	53203732212	Gear segment			1
23	2	94731121450	Washer 8	0217401	5	2
23	8	94730950351	Screw M 8x20	0211035	5	2
23	2	94731112050	Nut M 8	0214012	5	2
26	7	94731523803	Spring pin 5x22	022156		1
27	3	53298051253	Pedal lever			1
28	2	94727315101	Pedal pad			1
29	2	94731121450	Washer 8	0217401	5	2
29	1	94731112950	Self locking nut M 8	0214925	5	2

30	3	53298046282	Travel lever		1
		94731112050		0214012	
31	2		Nut M 8	5	1
		94730920353		0211032	
31	0		Hex screw M 8x35	5	1
		94727315101			
33	1		Pedal pad FAVORIT		1
		53298051252			
34	3		Pedal		1
		94744207300			
35	3		Ball joint 16 DIN 71 803 C		1
		94744207300			
36	5		Ball joint 16 DIN 71805B zinc		1
		94731112050		0214012	
37	3		Hex nut M 10	5	1
		94744207300			
38	6		Spring clip 16 DIN 71805S		1
		53298042207			
39	3		Tie rod		1
		94731112951			
40	6		Self locking nut M 10 KL8		1
		94731121050		0217021	
41	7		Flat washer B 17	5	1
		94731133851		0217810	
42	7		Cotter pin 3.2x25	5	1
		94731133851		0217810	
43	7		Cotter pin 3.2x25	5	1
		53298036482			
44	3		Arm		1
		94731121050		0217021	
45	3		Falt washer 8.4	5	1
		94731523803			
46	7		Spring pin 5x22	022156	1
		94731523803			
47	6		Spring pin 5x25	022156	1
		94731523121			
52	0		Spring 0-9746-475		1
		53208031207			
53	3		Arm		2
		94731173301			
54	2		Locking ring 22	022930	1
		53298046239			
55	3		Multiple Frame		1
		94730954350		0211435	
56	4		Hexagon secket screw M 5x35	5	1
		94731121451		0217450	
56	1		Toothed washer 5.3	5	1
		94731112951		0214925	
56	5		Locking nut M 5	5	1
		53209420655			
57	3		Bushing		1
		94731112950		0214925	
58	1		Self locking nut M 8	5	1
		53209421423			
59	3		Bushing		1
		94730901952			
60	4		Screw M 8x60-8.8 A2L ISO 8677		1
		94731112950		0214925	
60	1		Self locking nut M 8	5	1
		94731121050		0217021	
60	3		Falt washer 8.4	5	1

61	3	Holder		1
	94730954301		0211435	
62	9	Hex screw M 5x50 0-9025-216	0	1
	94731121050		0217021	
62	1	Flat washer 5.3	5	1
	94730959902			
63	8	Screw M 8 U 0-9011-282		1
	94753215016			
64	9	Damper P22x99 032.2883		1
	53298046240			
71	3	Brake shaet		1
	94731523803			
72	7	Spring pin 5x22	022156	1
	94731121450		0217401	
74	2	Washer 8	5	1
	94730950351		0211035	
74	8	Screw M 8x20	5	1
	94731112050		0214012	
74	2	Nut M 8	5	1
	53208041236			
75	3	Holderclamp		1
	53298071227			
76	3	Lever		1
	94753215020			
77	9	Lever tip 8x40 VINYL-FLEX bl.		1
	94731523116			
78	0	Spring 0-9746-444		1
	94731523803			
81	7	Spring pin 5x22	022156	1
	53298036477			
82	3	Lug		1
	94731133850		0217810	
83	1	Cotter pin 2x20	5	1
	53208041246			
84	3	Brake connection rod		1
	94731112050		0214012	
85	2	Nut M 8	5	1
	53298011208			
86	3	Screw		1
	94731121251		0217290	
87	7	Washer 9 zinc.	5	2
	94731112050		0214012	
88	2	Nut M 8	5	2
	94731121050		0217021	
89	3	Falt washer 8.4	5	1
	94731523117			
90	1	Spring 0-9746-449		1
	94731523116			
91	1	Spring 0-9746-445		1
	53298051253			
92	3	Pedal lever		1
	94727315101			
93	2	Pedal pad		1
	94731121050		0217021	
94	3	Falt washer 8.4	5	1
	53298046247			
95	3	Switch off fork		1
	94753215020			
96	9	Lever tip 8x40 VINYL-FLEX bl.		1
	53208041271			
97	3	Holderclamp		1

	94731121450		0217401	
98	2	Washer 8	5	1
	94730920355		0211032	
98	2	Hex screw M 8x18	5	1
	94731112050		0214012	
98	2	Nut M 8	5	1
	94742511100			
102	4	Grease fitting MK 6x1	231470	1
	94731133850		0217810	
103	1	Cotter pin 2x20	5	1
	94731121251		0217291	
103	6	Flat washer 6.6 zinc.	5	1

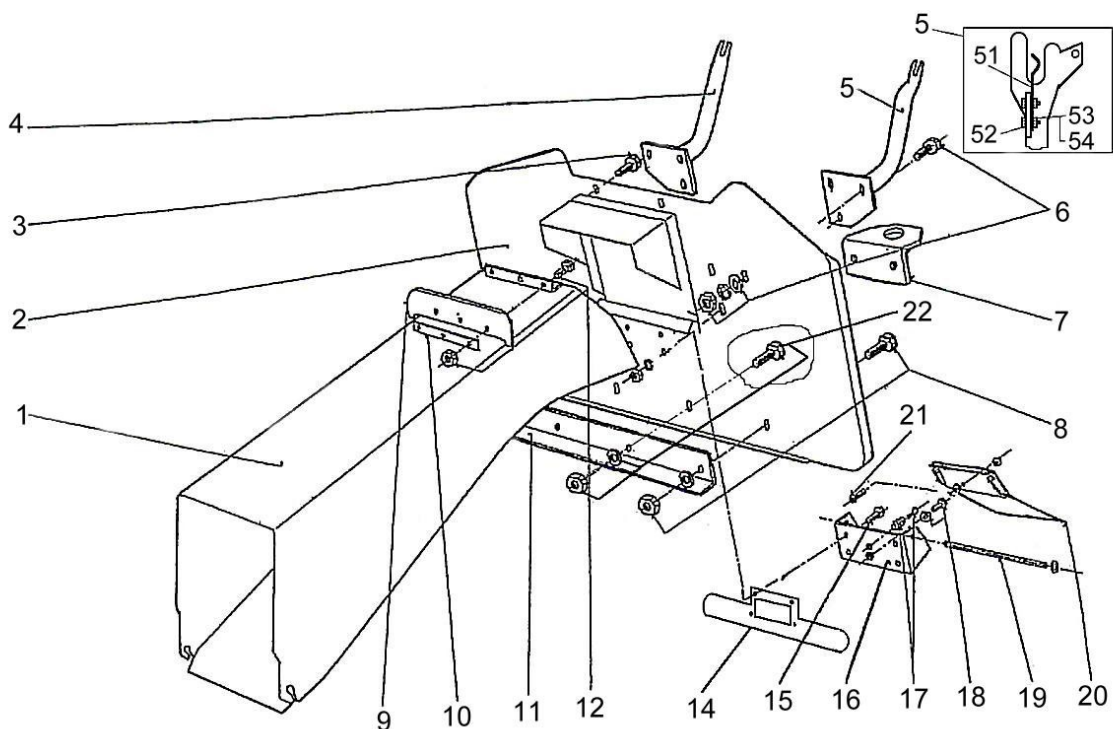


Système de coupe

Poz.	Číslo	Descript	Norma	Poččet
Item	Parts No.		Norm	Q. ty
Pos.	N°de pièce		Norme	Pcs
Pos.	Teile-Nr		Norm	Menge
1	532950472083	Mower housing assy		1
2	947532150252	Gauge wheel 0-1647-204		4
4	947309201524	Hex screw M 8x90	0211012 5 0214925	4
5	947311129501	Self locking nut M 8	5	4
6	532193102893	Pin		1
6	947315238035	Hair pin clip 0-9245-240		2
7	947315238003	Hair pin clip 0-9245-999		2
7	947311613002	Pin 1-9310-290		2
8	532080503503	Front suspension mower deck		1
9	532038128023	Blade shaft		1
10	947311726009	Square key 6h9x6x30	022562	1
11	947311726014	Square key 9x6x25	022562	2
12	947324162060	Bearing 6205 A 2RS	024640	4
13	947311733014	Locking ring 25	022930	2
14	532098212403	Blade adaptor		2
15	532093117363	Breaking pin 0-9311-736		1
16	947311219503	Conical washer BN 806-40x16.3		2
17	532092207493	Washer		2
17	947309599008	Screw M 10x1x35 left		1
18	532050422533	Blade right		1
19	532050422543	Blade left		1
20	947309599017	Hex screw 0-9011-287 M10		1
21	532038128033	Blade shaft		1
22	947311726019	Key 6h9x6x63	022562 0214925	1
23	947311129501	Self locking nut M 8	5 0217021	6
23	947311210503	Falt washer 8.4	5 0211035	6
23	947309503543	Screw M 8x35	5 0211035	6
24	947309503518	Screw M 8x20	5	6
25	532038523833	Quill housing		2
26	532990362343	Speedclutch		2
27	947311129505	Self locking nut M 12	0214925 5	1
28	532092207273	Washer		2
29	532933712773	Pulley		2
30	947311129505	Self locking nut M 12	0214925 5 0217021	2
30	947311210505	Flat washer B 13	5	1
31	947311733079	Locking ring 40	022931	2
32	947324162090	Bearing 6203 2 RS	024640	2
33	532933712743	Pulley		1
34	532993122683	Pin		2
35	947311120502	Nut M 8	0214012 5	1

			0217290	
35	947311212517	Washer 9 zinc.	5	1
35	532914412313	Lug		1
36	532092207533	Wascher		1
37	532092303963	Brace		1
			0214925	
38	947311129505	Self locking nut M 12	5	2
39	532092207703	Washer		2
40	532985423313	Blade drive plate assy		1
			0217401	
41	947311214502	Washer 8	5	1
			0211035	
41	947309503518	Screw M 8x20	5	1
			0217021	
41	947311210503	Falt washer 8.4	5	1
			0213190	
42	947309019501	Screw M 8x20	5	2
42	947311129501	Self locking nut M 8	0214925	2
			5	
			0217021	
42	947311210503	Falt washer 8.4	5	2
			0217021	
42	947311210505	Flat washer B 13	5	2
			0214925	
44	947311129501	Self locking nut M 8	5	6
			0211012	
50	947309203537	Hex screw M 6x18	5	2
			0214925	
50	947311129513	Self locking nut M 6	5	2
			0217291	
50	947311212516	Flat washer 6.6 zinc.	5	4
51	947272211006	Cog belt DS8M1760		1
52	947532150210	Belt cover 0-8547-369		1
53	947532150165	Pulley 9-3325-234		1
54	532092207273	Washer		1
			0214925	
55	947311129505	Self locking nut M 12	5	1
56	532913422403	Idler arm assy		1
57	532092212223	Washer		1
			0217401	
58	947311214502	Washer 8	5	2
			0211435	
59	947309543506	Hexagon socket screw M 8x20	5	1
60	947315231193	Spring 0-9746-460		1
61	532113402353	Engagement lever		1
			0214032	
62	947311120520	Nut M 8	5	2
63	947272731193	V-belt B17x1350 KREBS		1
			0214012	
64	947311120502	Nut M 8	5	2
			0217401	
65	947311214502	Washer 8	5	1
66	947311212508	Flat washer 9 zinc.	021727	1
67	947000532002	Idler pulley W 3500-3712		1
68	532093212633	Pin		1
			0211032	
69	947309203517	Hex screw M 8x25	5	1
			0214925	
69	947311129501	Self locking nut M 8	5	1
70	532096303973	Brace		1

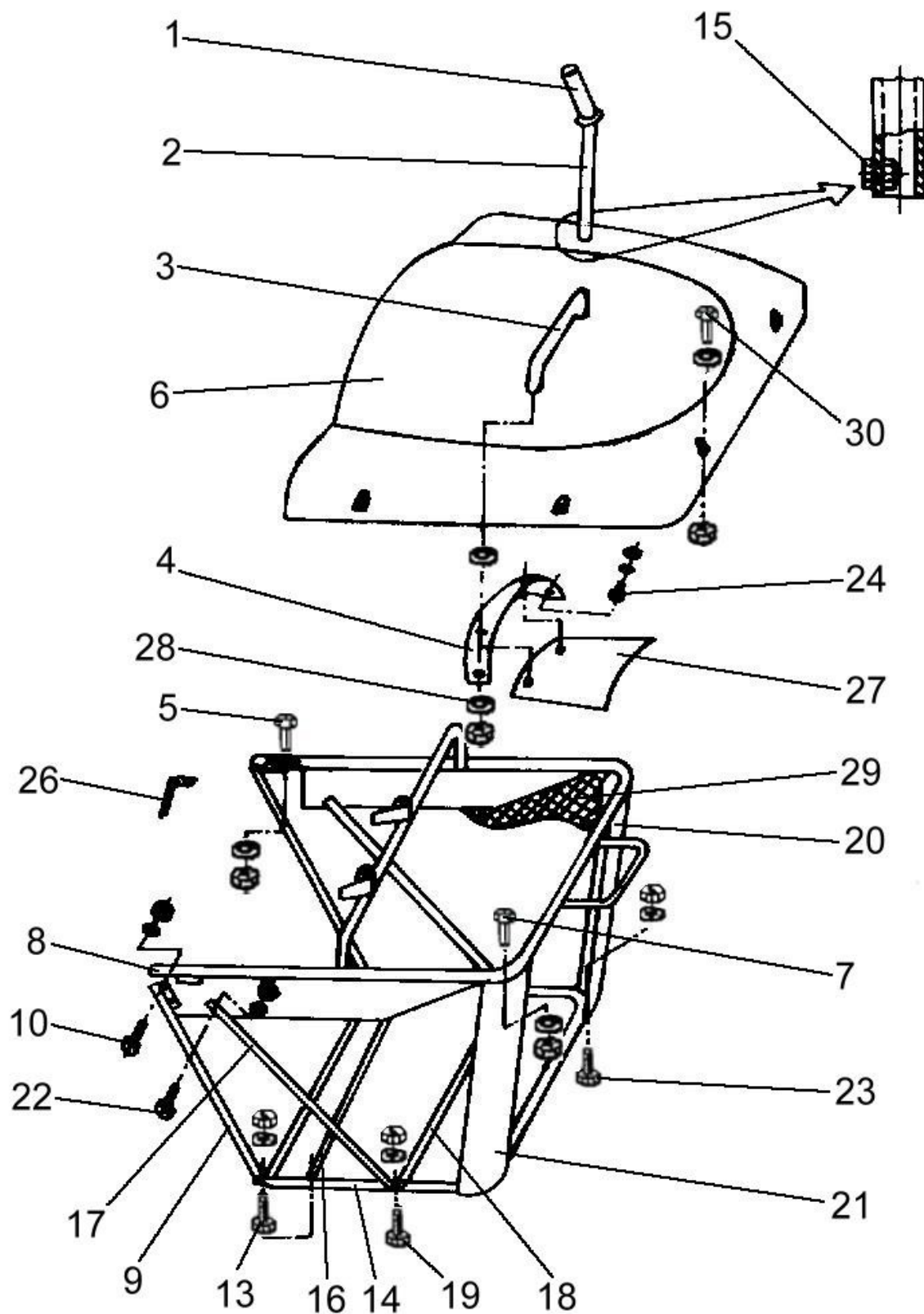
71	532098203373	Brace		2
260	947311120511	Hex nut M 12	0214032	2
261	947273111054	Ring 12x2	5	2
262	532090262463	Speedclutch	0292812	2



Ejection - support bac

Poz.	Číslo	Descript	Norma	Počet
Item	Parts No.		Norm	Q. ty
Pos.	N°de pièce		Norme	Pcs
Pos.	Teile-Nr		Norm	Menge
	53297447225			
1	3	Tunnel-discharge		1
	53297442211			
2	3	Collector plate assy		1
	94730950300	Screw M 8x25 VERBUS RIP KI		
3	5	100		2
	53297443210			
4	3	Collector support right		1
	53297443211			
5	3	Collector support left		1
	94731121450		0217401	
6	2	Washer 8	5	6
	94731112050		0214012	
6	2	Nut M 8	5	2
	94731121050		0217021	
6	3	Falt washer 8.4	5	2
	94730957801			
6	2	Hex screw M 8x30 DIN 69218.8		6
	94753215029			
7	6	Tow hitch 1-1340-245		1
	94731121450		0217401	
8	2	Washer 8	5	2
	94731112050		0214012	
8	2	Nut M 8	5	2
8	94730957801	Screw M 8x20 DIN 69218.8 ZINC		2

6	94731121050		0217021	
8	3	Falt washer 8.4	5	2
	53211332281			
9	3	Screen		1
	53211530857			
10	3	Support plate		1
	53211340331			
11	3	Shaft		1
	94730923150		0211312	
12	2	Screw M 4x12 cyl.head-slotted	5	3
	94731112050		0214012	
12	5	Nut M 4	5	3
	53201535582			
14	3	Cover		1
	94730920353		0211032	
15	9	Hex screw M 5x16	5	4
	94731112951		0214925	
15	5	Locking nut M 5	5	4
	53291346241			
16	3	Holder		1
	94730923152		0211312	
17	9	Screw M 4x8	5	1
	94731523119			
17	5	Spring 0-9746-462		1
	94730920355		0211032	
18	9	Screw M 6x35	5	1
	94731112051		0214032	
18	3	Hex nut M 6	5	1
	53201410210			
19	3	Pin		1
	94731121050		0217021	
19	2	Flat washer 6.4	5	2
	94731133851		0217810	
19	4	Cotter pin 2x16	5	1
	53208535203			
20	3	Key		1
	94730901952		0213190	
21	0	Screw M 5x20 zinc	5	1
	94731112053		0214032	
21	0	Hex nut M 5	5	2
	94731121450		0217401	
22	2	Washer 8	5	4
	94730957801			
22	1	Hex screw M 8x25 DIN69218.8		4
	94731112050		0214012	
22	2	Nut M 8	5	4
	94731121050		0217021	
22	3	Falt washer 8.4	5	4
	53209745224			
51	3	Spring		1
	94730920353		0211032	
52	9	Hex screw M 5x16	5	2
	94731112951		0214925	
53	5	Locking nut M 5	5	2
	94731121050		0217021	
54	1	Flat washer 5.3	5	2

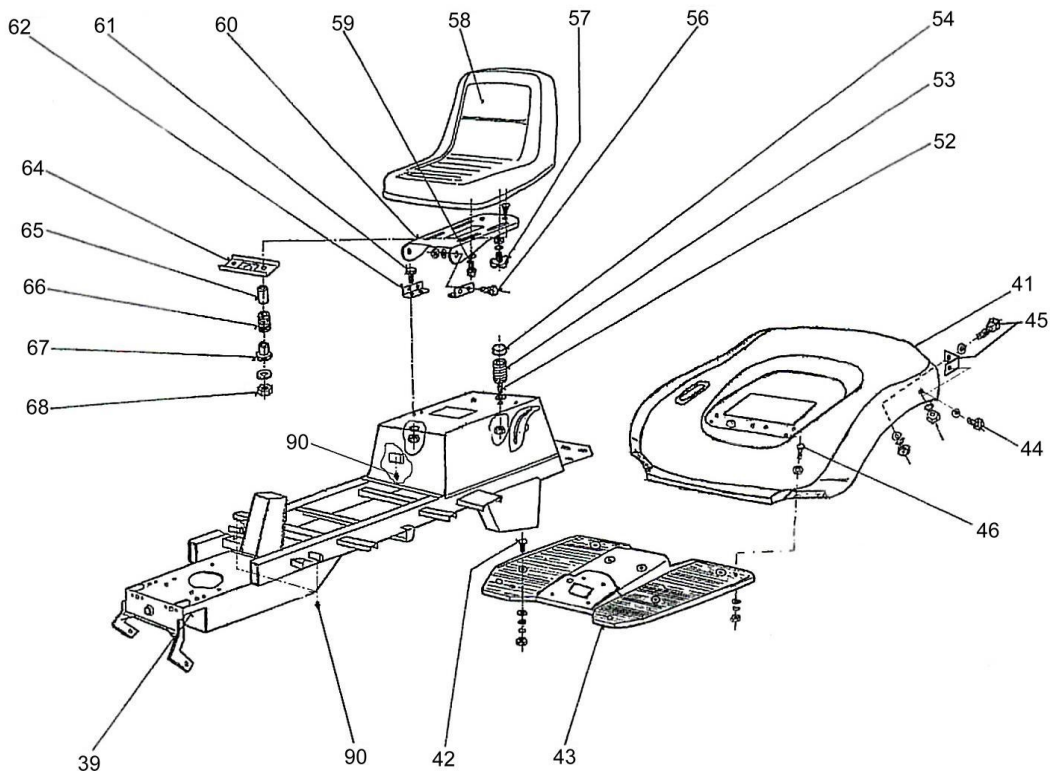


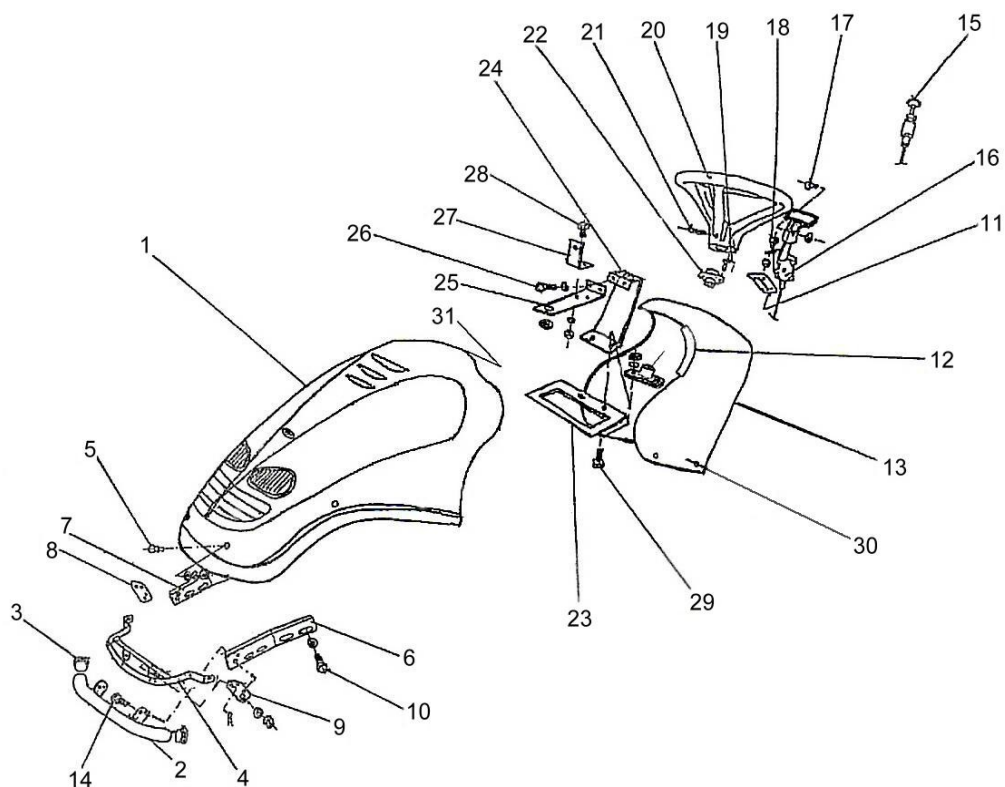
Panier collecteur

Poz. Item	Číslo Parts No.	Descript	Norma Norm	Počet Q. ty
--------------	--------------------	----------	---------------	----------------

Pos.	N°de pièce		Norme	Pcs
Pos.	Teile-Nr		Norm	Menge
1	947532150007	Handle grip R/CM PR.25		1
2	532074202013	Dumping lever		1
3	532913462503	Lift handle		1
4	532015408053	Stiffened		1
			0211032	
5	947309203548	Hex screw M 5x12	5	2
			0217401	
5	947311214507	Spring washer 5	5	2
			0214925	
5	947311129515	Locking nut M 5	5	2
			0217021	
5	947311210501	Flat washer 5.3	5	2
6	947532150255	Collector cover gr. 0-7447-235		1
6	947532150272	Collector cover red 0-7447-237		1
7	947311212514	Flat washer 5.5 zinc.	021729	2
			0211032	
7	947309203555	Hex screw M 5x30	5	2
			0214925	
7	947311129515	Locking nut M 5	5	2
			0217021	
7	947311210501	Flat washer 5.3	5	2
8	532974472373	Top framme assy		1
9	532974442033	Front frame assy		1
10	947309019514	Carriage bolt M 5x16	021319	4
10	947311212514	Flat washer 5.5 zinc.	021729	4
			0214925	
10	947311129515	Locking nut M 5	5	4
			0211032	
13	947309203555	Hex screw M 5x30	5	4
			0214925	
13	947311129515	Locking nut M 5	5	4
			0217021	
13	947311210501	Flat washer 5.3	5	4
14	532974462063	Bottom frame assy		1
			0211032	
15	947309203548	Hex screw M 5x12	5	1
			0214925	
15	947311129515	Locking nut M 5	5	1
16	532074262073	Frame		1
17	532074262063	Brace		2
18	532074262083	Connecting brace		1
			0211032	
19	947309203556	Hex screw M 5x35	5	2
			0214925	
19	947311129515	Locking nut M 5	5	2
			0217021	
19	947311210501	Flat washer 5.3	5	2
20	532074422263	Right corner support		1
21	532074422273	Left corner support		1
			0211032	
22	947309203539	Hex screw M 5x16	5	2
			0214925	
22	947311129515	Locking nut M 5	5	2
			0217021	
22	947311210501	Flat washer 5.3	5	2
			0214925	
23	947311129515	Locking nut M 5	5	4

23	947309203557	Hex screw M 5x25	0211032	5	4
23	947311210501	Flat washer 5.3	0217021	5	4
24	947311214502	Washer 8	0217401	5	2
24	947309203504	Hex screw M 8x20	0211032	5	2
24	947311210503	Flat washer 8.4	0217021	5	2
26	532097402163	Contact			2
27	532085406193	Screen			1
28	947311212040	Flat washer 11	021729	5	2
28	947311129502	Self locking nut M 10	0214925	5	2
28	947311210504	Flat washer B 10,5	0217401	5	4
29	947532150256	Grass collector 9-7432-206			1
30	947311212514	Flat washer 5.5 zinc.	021729	5	6
30	947309203555	Hex screw M 5x30	0211032	5	6
30	947311129515	Locking nut M 5	0214925	5	6
30	947311210501	Flat washer 5.3	0217021	5	6





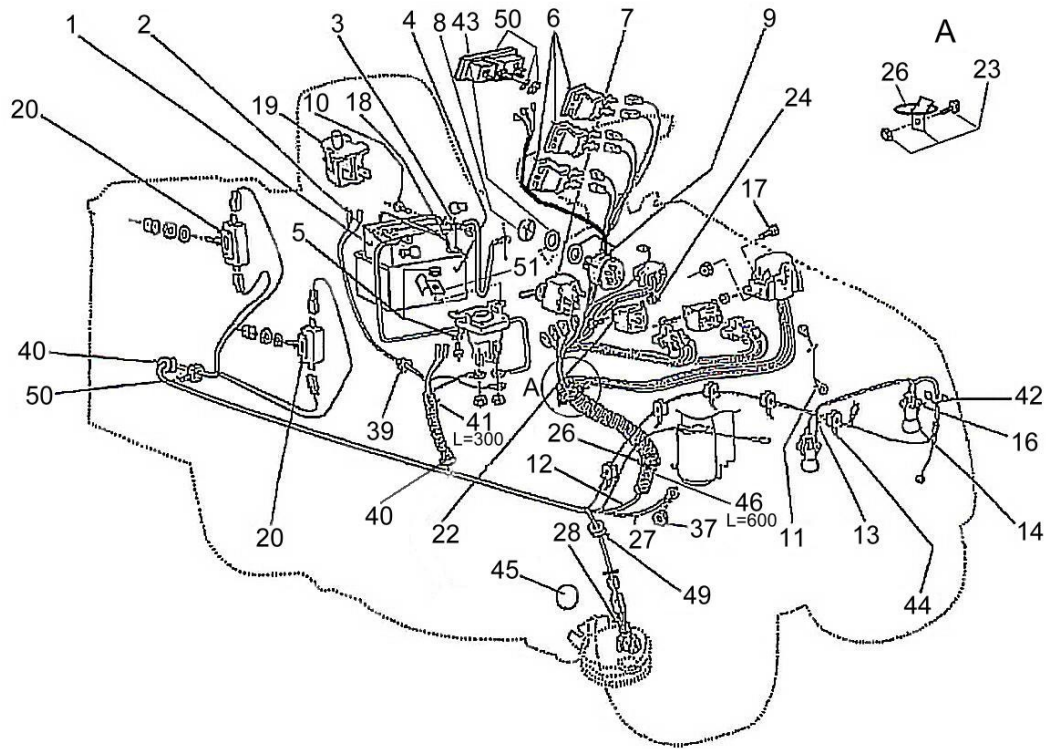
Carrosserie

Poz.	Číslo	Descript	Norma	Počet
Item	Parts No.		Norm	Q. ty
Pos.	N°de pièce		Norme	Pcs
Pos.	Teile-Nr		Norm	Menge
1	532918492843	Hood assy red		1
1	532918492903	Hood assy green		1
2	532918462133	Bumper		1
3	947321841068	Blind 40/1-3 SL, black		2
4	947315238005	Spring clip 0-9245-233		2
4	532913473503	Hood holder		1
5	947311120506	Nut M 5	0214012 5	4
5	947311212511	Flat washer 5.3	0217261 5	4
5	947309019520	Screw M 5x20 zinc	0213190 5	4
5	947311214507	Spring washer 5	0217401 5	4
5	947311210502	Flat washer 6.4	0217021 5	4
6	532113413443	Left complete bracket		1
7	532113413433	Right complete bracket		1
8	532913368243	Holder left		1
9	532913368233	Holder right		1
10	947311214503	Spring washer 10	0217401 5	4
10	947309203507	Screw M 10x20	0211032 5	4

10	947311210504	Flat washer B 10,5	0217401 5	4
11	532115309553	Brace		1
12	532096342133	Trim		1
13	947532150254	Dashpanel 0-8048-233		1
14	947311214502	Washer 8	0217401 5	4
14	947309203517	Hex screw M 8x25	0211032 5	1
14	947311120502	Nut M 8	0214012 5	4
15	947443612010	Choke MK01 9-8074-252		1
16	947443900093	Throttle lever assy GAR 00		1
16	947000443006	Throttle lever assy 9-8071-221		1
17	947309231505	Screw M 4x10 cyl.head-slotted	0211312 5	1
17	947311129514	Self locking nut M 4	0214925 5	1
18	947309251514	Screw M 5x14	0211512 5	4
18	947311129515	Locking nut M 5	0214925 5	4
19	947309578503	Screw M 6x25 DIN 7991		2
19	947311129513	Self locking nut M 6	0214925 5	2
19	947311210502	Flat washer 6.4	0217021 5	2
20	947443821003	Steering wheel 0-8020-265		1
21	947315238031	Spring pin 6x45	0221560 0	1
22	947321841069	St. wheel bushing 0-1652-226		1
23	532083422243	Dashpanel		1
24	532913413053	Holder c.		1
25	532113403373	Fuel tank holder		1
25	947273121027	Bushing 22x2	6338811 0217401	1
26	947311214501	Spring washer 6	5	2
26	947309203501	Hex screw M 6x16	0211032 5	2
27	532113403293	Holder		1
28	947309203548	Hex screw M 5x12	0211032 5	2
28	947311129515	Locking nut M 5	0214925 5	2
29	947311214502	Washer 8	0217401 5	2
29	947309203517	Hex screw M 8x25	0211032 5	2
29	947311120502	Nut M 8	0214012 5	2
29	947311210503	Flat washer 8.4	0217021 5	2
30	947311120506	Nut M 5	0214012 5	4
30	947311212511	Flat washer 5.3	0217261 5	4
30	947309019520	Screw M 5x20 zinc	0213190 5	4
30	947311214507	Spring washer 5	0217401 5	4

31	532096352033	Gasket		1
32	947000324001	Lower steering support FLW 12		1
39	532912962453	Chassis frame		1
41	947532150271	Double fender red 0-1847-334		1
41	947532150258	Double fender green 0-1847-325		1
			0217401	
42	947311214502	Washer 8	5	8
			0213190	
42	947309019501	Screw M 8x20	5	6
			0214012	
42	947311120502	Nut M 8	5	6
			0217021	
42	947311210503	Falt washer 8.4	5	6
43	532018473243	Centre frame foot rest		1
44	947309019514	Carriage bolt M 5x16	021319	2
			0214012	
44	947311120506	Nut M 5	5	2
44	947311212514	Flat washer 5.5 zinc.	021729	2
			0217401	
44	947311214507	Spring washer 5	5	2
45	532014408153	Lug		2
45	947309019514	Carriage bolt M 5x16	021319	2
			0214012	
45	947311120506	Nut M 5	5	2
45	947311212514	Flat washer 5.5 zinc.	021729	4
			0217401	
45	947311214507	Spring washer 5	5	2
			0214012	
46	947311120506	Nut M 5	5	4
			0217261	
46	947311212511	Flat washer 5.3	5	4
			0213190	
46	947309019520	Screw M 5x20 zinc	5	4
			0217401	
46	947311214507	Spring washer 5	5	4
			0211032	
52	947309203517	Hex screw M 8x25	5	2
			0214925	
52	947311129501	Self locking nut M 8	5	2
			0217290	
52	947311212517	Washer 9 zinc.	5	2
53	947315231124	Seat spring 0-9746-434		2
54	947532150208	Cap 38 A/PVC black		2
56	947309599012	Screw 0-9016-427		2
			0214012	
56	947311120502	Nut M 8	5	2
			0217021	
56	947311210503	Falt washer 8.4	5	2
57	947532150213	Locknut M 8x18 black		2
			0217330	
57	947311213503	Flat washer 8.4 zinc.	5	2
58	947532150212	Seat SEAT - OTTO		1
			0217401	
59	947311214502	Washer 8	5	2
59	947311219002	Washer 8x12x2 BN 739		1
			0211032	
59	947309203504	Hex screw M 8x20	5	2
			0217021	
59	947311210503	Falt washer 8.4	5	2
60	532018472433	Seat support		1

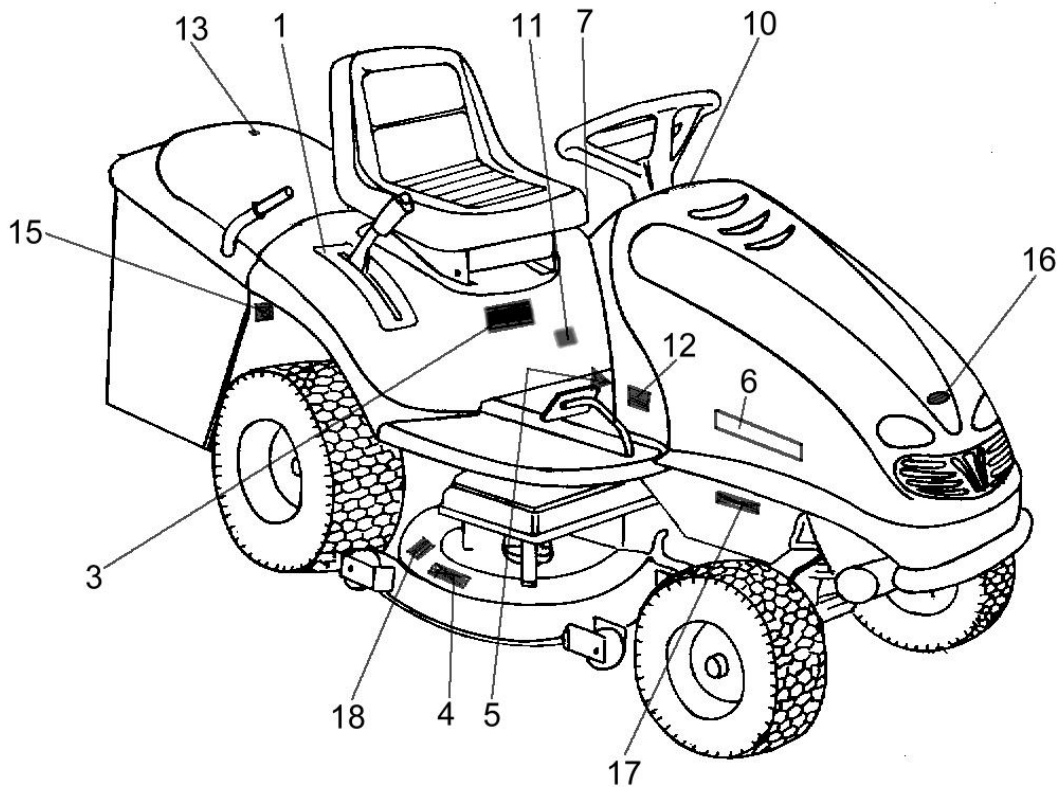
61	947311214502	Washer 8	0217401 5	4
61	947309203504	Hex screw M 8x20	0211032 5	4
61	947311120502	Nut M 8	0214012 5	4
61	947311210503	Falt washer 8.4	0217021 5	4
62	532113402403	Seat support bracket		2
64	532983362153	Bracket		1
65	532195202903	Spacer		2
66	947315231194	Spring 0-9746-461		2
67	947722643019	Bushing 0-9421-424		2
68	947311212520	Washer 6	0217271 5	2
68	947309019519	Screw M 6x35 zinc	021319 0214925	2
68	947311129513	Self locking nut M 6	5	2
90	947425111004	Grease fitting MK 6x1	231470	3



Equipement électrique

Poz.	Číslo	Descript	Norma	Poččet
Item	Parts No.		Norm	Q. ty
Pos.	N°de pièce		Norme	Pcs
Pos.	Teile-Nr		Norm	Menge
1	947346211006	Akumulator 12V-24H		1
2	947273125006	Rubber boot		1
2	947341271005	Battery cable + 9-8316-552		1
3	947273125006	Rubber boot		1
3	947341271021	Battery cable - 9-8316-570		1
4	947232130001	Battery box 0-2765-201		1
5	947311129513	Self locking nut M 6	0214925	2
5	947309203501	Hex screw M 6x16	5 0211032	1
5	947311210502	Flat washer 6.4	5 0217021	2
5	947000532033	Solenoid 12V CLUM 94 255		1
6	947000443004	Switch 8006 K 35 N 1V2		1
6	947000345001	Switch 8006 K 23 N 1V2		2
7	947311219502	Washer 12 DIN 6798-J BN 782		1
7	947000532039	Blade clutch switch G 671		1
8	947548712011	Ring 406-15/25		1
9	532092207513	Flat washer		1
9	947443861005	3 position key switch INDAK		1
10	947309203502	Screw M 6x20	0211032 5 0214925	2
10	947311129513	Self locking nut M 6	5	2

11	947341271006	Electrical lead 9-8316-553		1
12	532983194293	Main wiring harn.		1
13	947341271036	Wirring Harness 9-8316-578		1
14	947347224006	Light bulb 12V 10W K20		2
16	947443953001	Lamp socket		2
17	947309203548	Hex screw M 5x12	0211032 5	2
17	947311129515	Locking nut M 5	0214925 5	2
17	947311210501	Flat washer 5.3	0217021 5	2
18	947532880041	Battery clamp		1
19	947000532079	Seat switch DELTA 6440-04		1
20	947311210505	Flat washer B 13	0217021 5	2
20	947358113026	Microswitch MKO-10-01		2
22	947443811004	Relay		2
23	532113403363	Clip		1
23	947309203539	Hex screw M 5x16	0211032 5	1
23	947311129515	Locking nut M 5	0214925 5	1
23	947311210501	Flat washer 5.3	0217021 5	1
24	947309203548	Hex screw M 5x12	0211032 5	2
24	947311129515	Locking nut M 5	0214925 5	2
24	947311210501	Flat washer 5.3	0217021 5	2
25	947309203539	Hex screw M 5x16	0211032 5	1
25	947311129515	Locking nut M 5	0214925 5	1
26	947532150207	Clip RT 360-150		5
27	947341271004	El. starter lead 9-8316-550		1
28	947341271052	Protective diode		1
39	947273121015	Bushing 9x4	6338811	1
40	947273121027	Bushing 22x2	6338811	2
41	947286134002	Flexible tube		1**
42	947321841071	Cable clips		1
43	947311290002	Washer 0-9220-747		1
44	947532150211	Clip WSBH-1-01		12
45	947532150055	Cap "KAPSTO" GPN 910-D53		1
46	947286134002	Flexible tube		1
49	947273121029	Beshing 22x4	6338811 0217021	1
50	947311210506	Flat washer 4.3	5 0214012	1
50	947311120505	Nut M 4	5	1
50	947443433001	Hour meters CURTIS 701DN00		1
51	532113413453	Clip		1



Equipement électrique

Poz.	Číslo	Descript	Norma	Počet
Item	Parts No.		Norm	Q. ty
Pos.	N°de pièce		Norme	Pcs
Pos.	Teile-Nr		Norm	Menge
1	947346211006	Akumulator 12V-24H		1
2	947273125006	Rubber boot		1
2	947341271005	Battery cable + 9-8316-552		1
3	947273125006	Rubber boot		1
3	947341271021	Battery cable - 9-8316-570		1
4	947232130001	Battery box 0-2765-201		1
5	947311129513	Self locking nut M 6	0214925	2
			5	
			0211032	
5	947309203501	Hex screw M 6x16	5	1
			0217021	
5	947311210502	Flat washer 6.4	5	2
5	947000532033	Solenoid 12V CLUM 94 255		1
6	947000443004	Switch 8006 K 35 N 1V2		1
6	947000345001	Switch 8006 K 23 N 1V2		2
7	947311219502	Washer 12 DIN 6798-J BN 782		1
7	947000532039	Blade clutch switch G 671		1
8	947548712011	Ring 406-15/25		1
9	532092207513	Flat washer		1
9	947443861005	3 position key switch INDAK		1
			0211032	
10	947309203502	Screw M 6x20	5	2
10	947311129513	Self locking nut M 6	0214925	2

		5	
11	947341271006	Electrical lead 9-8316-553	1
12	532983194293	Main wiring harn.	1
13	947341271036	Wiring Harness 9-8316-578	1
14	947347224006	Light bulb 12V 10W K20	2
16	947443953001	Lamp socket	2
		0211032	
17	947309203548	Hex screw M 5x12	2
		5	
		0214925	
17	947311129515	Locking nut M 5	2
		5	
		0217021	
17	947311210501	Flat washer 5.3	2
		5	
18	947532880041	Battery clamp	1
19	947000532079	Seat switch DELTA 6440-04	1
		0217021	
20	947311210505	Flat washer B 13	2
		5	
20	947358113026	Microswitch MKO-10-01	2
22	947443811004	Relay	2
23	532113403363	Clip	1
		0211032	
23	947309203539	Hex screw M 5x16	1
		5	
		0214925	
23	947311129515	Locking nut M 5	1
		5	
		0217021	
23	947311210501	Flat washer 5.3	1
		5	
		0211032	
24	947309203548	Hex screw M 5x12	2
		5	
		0214925	
24	947311129515	Locking nut M 5	2
		5	
		0217021	
24	947311210501	Flat washer 5.3	2
		5	
		0211032	
25	947309203539	Hex screw M 5x16	1
		5	
		0214925	
25	947311129515	Locking nut M 5	1
		5	
26	947532150207	Clip RT 360-150	5
27	947341271004	El. starter lead 9-8316-550	1
28	947341271052	Protective diode	1
39	947273121015	Bushing 9x4	1
		6338811	
40	947273121027	Bushing 22x2	2
		6338811	
41	947286134002	Flexible tube	1**
42	947321841071	Cable clips	1
43	947311290002	Washer 0-9220-747	1
44	947532150211	Clip WSBH-1-01	12
45	947532150055	Cap "KAPSTO" GPN 910-D53	1
46	947286134002	Flexible tube	1
49	947273121029	Beshing 22x4	1
		6338811	
		0217021	
50	947311210506	Flat washer 4.3	1
		5	
		0214012	
50	947311120505	Nut M 4	1
		5	
50	947443433001	Hour meters CURTIS 701DN00	1
51	532113413453	Clip	1